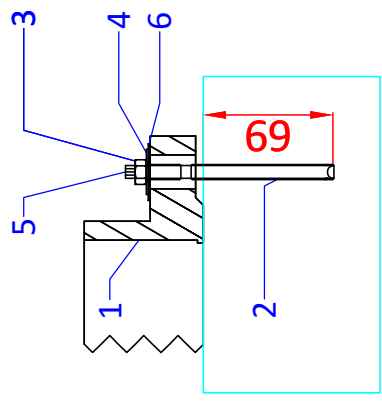


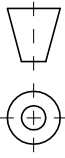
System D

- 1= Product
- 2= Chemical anchor M8
- 3= Nut M8
- 4= Carr.ring M8
- 5= Threaded rod M8
- 6= Carr.ring M10




AquaDrolics

Sportlaan 9, 5683 CS Best, The Netherlands
 T +31 (0)499 393 540 | F +31 (0)499 393 744
 E info@aquadrolics.nl | www.aquadrolics.nl

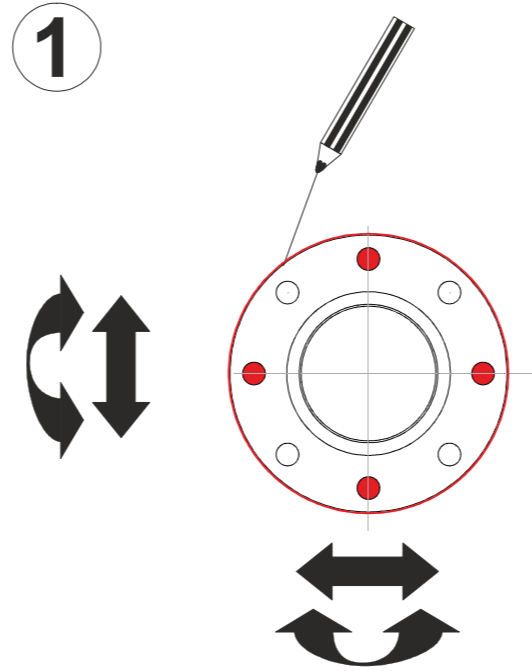
PROJECT NAME:		SCALE:	DIMENSION:
Mounting		FTS	mm
DRAWING NR:		FORMAT:	DRAWN BY:
2.3.1		A4	MT
PRODUCT:		DATE:	
1140 9952 Treasure Chest		21-03-2016	
		PROJECTION:	



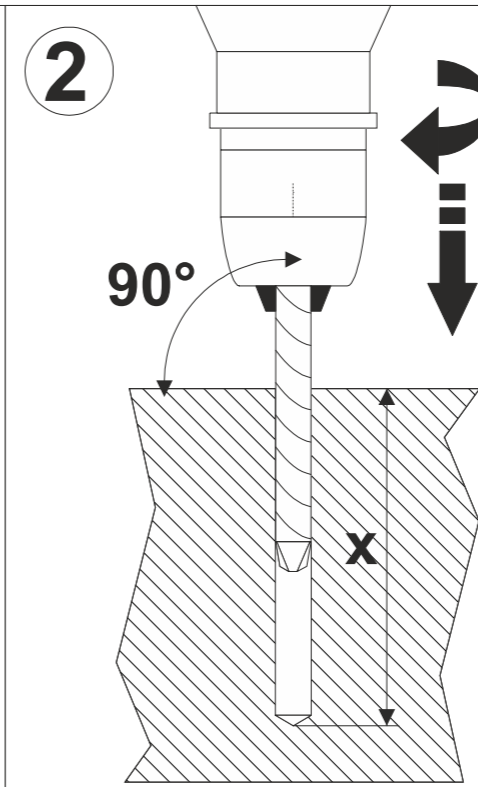
AQUA DROLICS
Mounting system D-2

Tools:

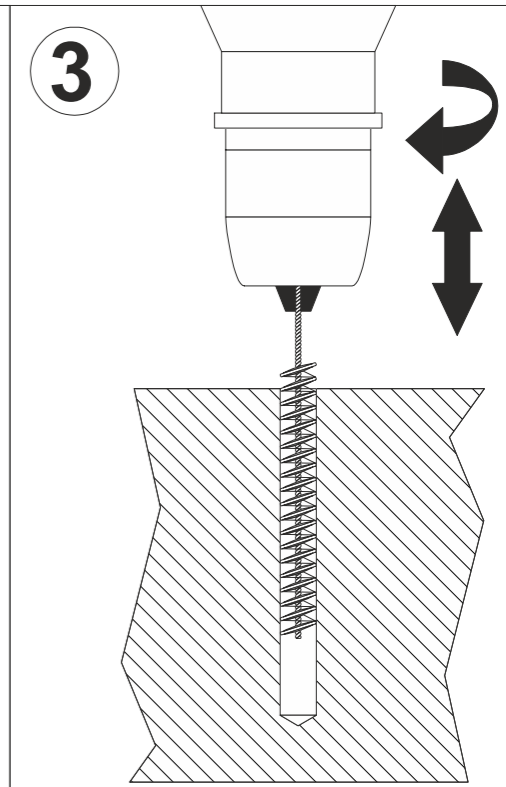
- Drilling machine
- Mounting system D
- Body ring M8
- Body ring M10
- Concrete drill Ø 10 mm
- Steel brush Ø 11 mm
- Pencil
- Measuring tape
- Wrench nr 13



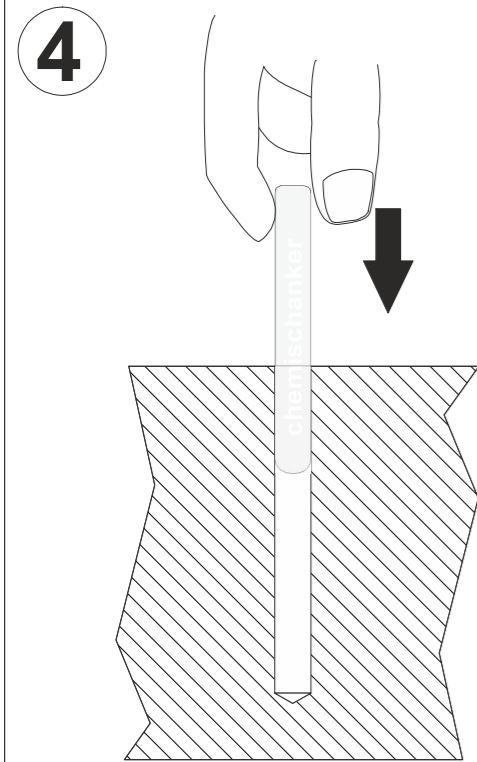
1
Determine the position of the product. Mark the outline and position of the holes on the sub-soil.



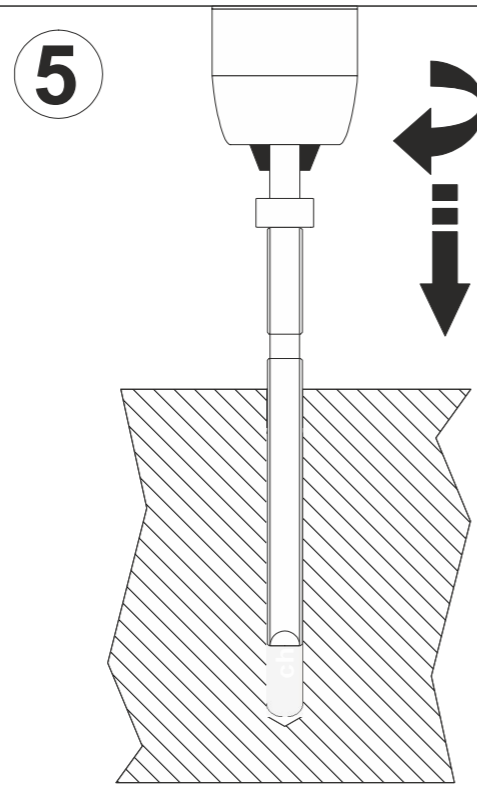
2
Drill holes in the sub-soil using the concrete drill Ø 10 mm. Depth as shown in the products drawing.



3
Brush the holes using the steel brush (Ø 11 mm). Clean the holes.

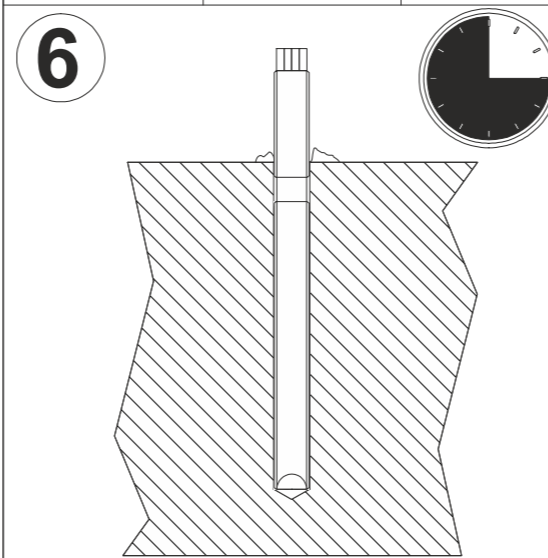


4
Insert capsule.

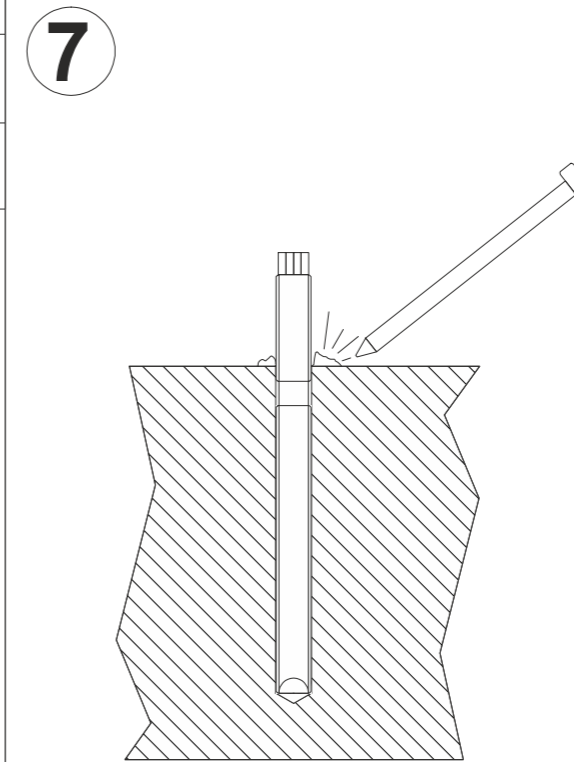


5
Place anchor shaft using the delivered tool.

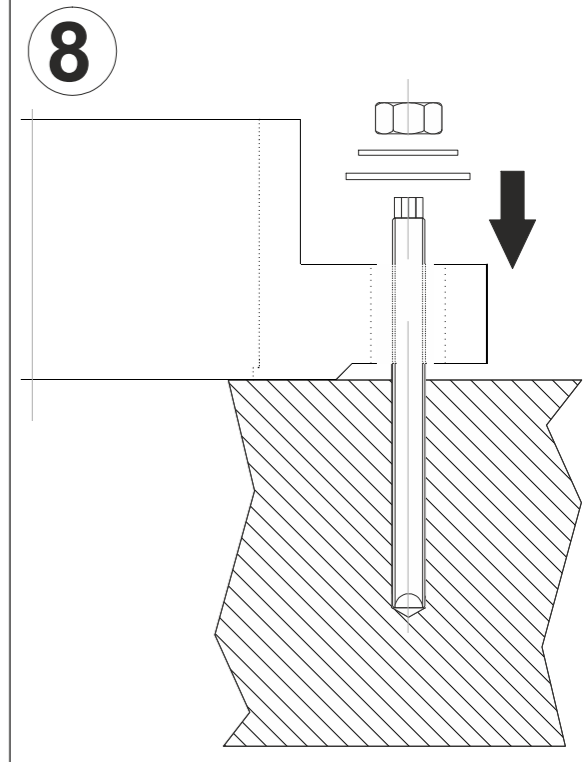
	T=10°C	T=20°C
Harden time dry concrete	40 min.	20 min.
Harden time wet concrete	120 min.	60 min.



6
Leave the anchor to harden.



7
Remove any remains around the anchor shaft.



8
Mount the product.