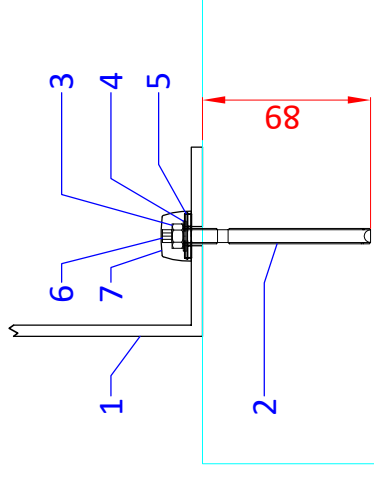


### System D

- 1= Product
- 2= Chemical anchor M8
- 3= Nut M8
- 4= Ring M8
- 5= Nylon ring for cap
- 6= Threaded rod M8
- 7= Cap

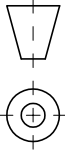



Sportlaan 9, 5683 CS Best, The Netherlands  
 T +31 (0)499 393 540 | F +31 (0)499 393 744  
 E info@aquadrolics.nl | www.aquadrolics.nl

PROJECT NAME:  
**Mounting**

DRAWING NR:  
**2.3.1**

PRODUCT:  
**Pump 'Archimedes'**

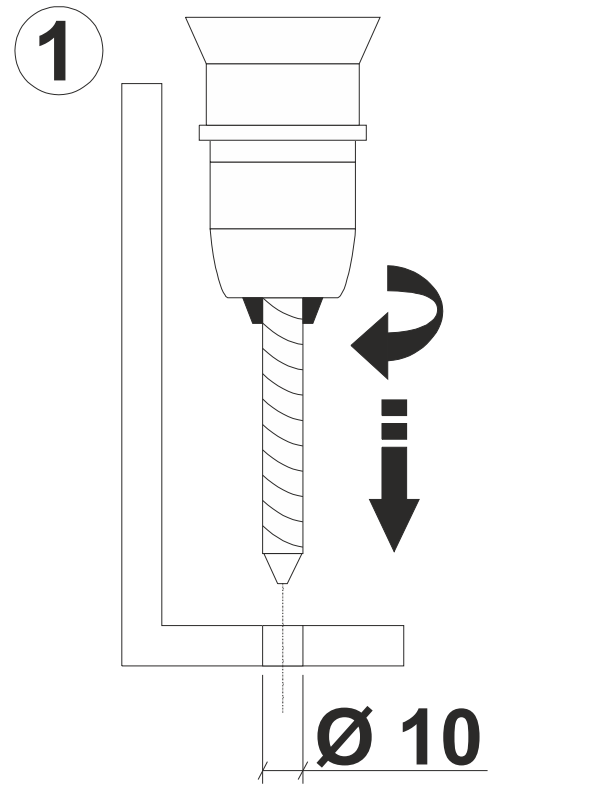
|                   |  |
|-------------------|--|
| SCALE:            | DIMENSION:   |
| <b>1:16/1:4</b>   | <b>mm</b>  |
| FORMAT:           | DRAWN BY:  |
| <b>A4</b>         | <b>MT</b>  |
| DATE:             | PROJECTION:  |
| <b>10-10-2016</b> |  |



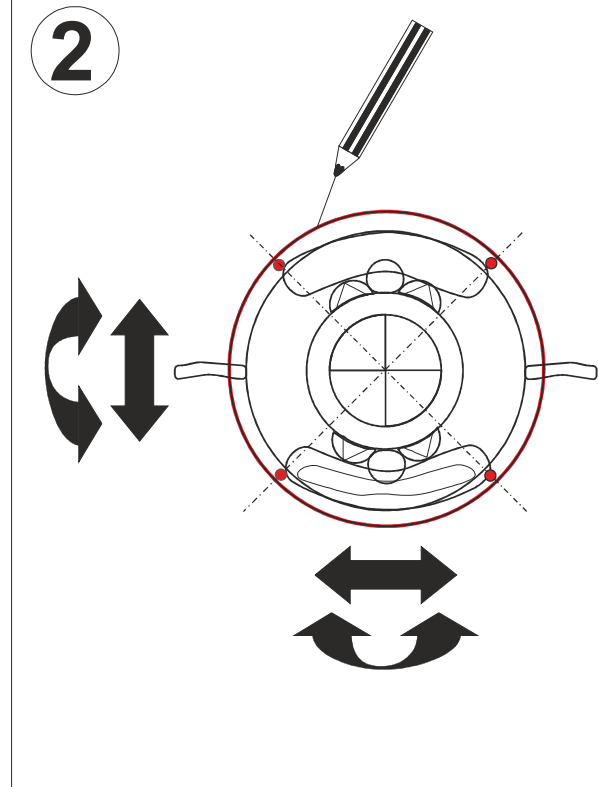
**AQUA DROLICS**  
Mounting system D

**Tools:**

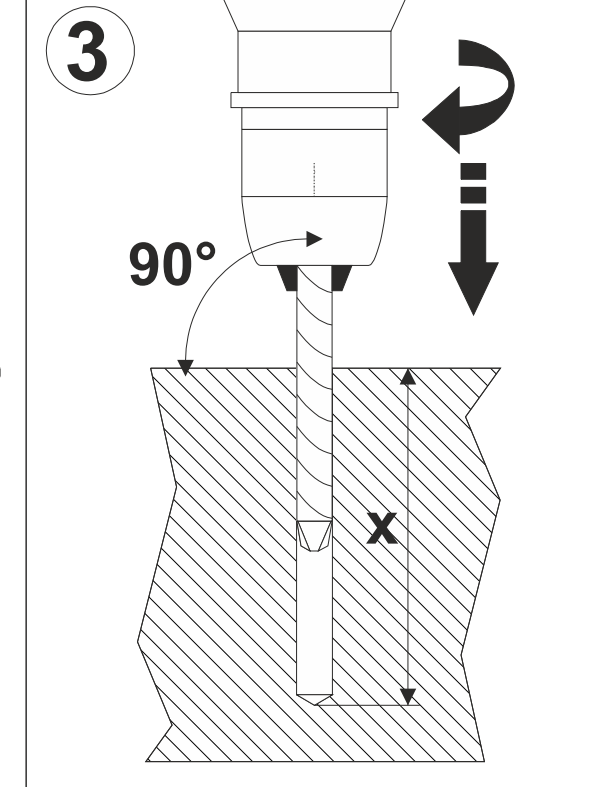
- drilling machine
- drill (steel) Ø 10 mm
- drill (concrete) Ø 10 mm
- steel brush Ø 11 mm
- pencil
- hacksaw
- measuring tape
- wrench nr 13



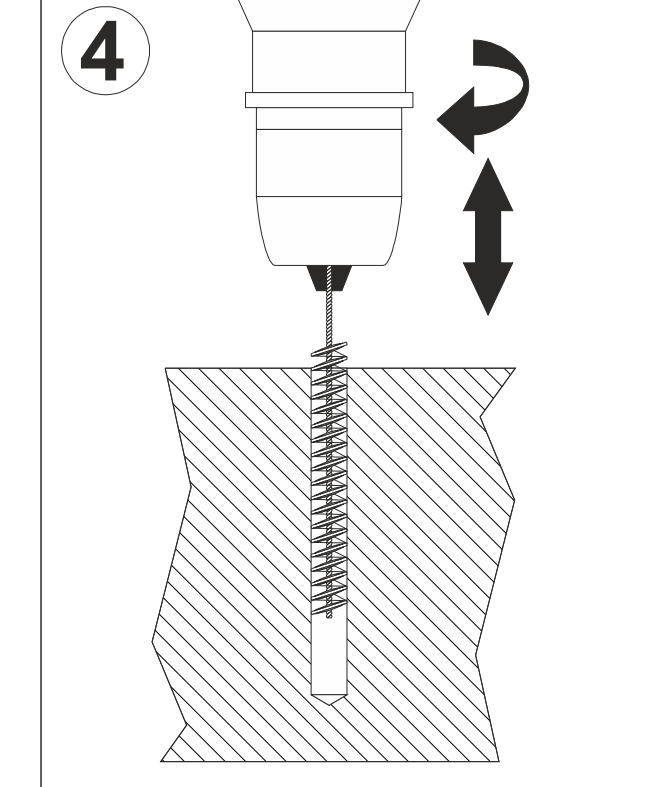
Drill 4 holes Ø 10 in the product flange, as shown in the products drawing.



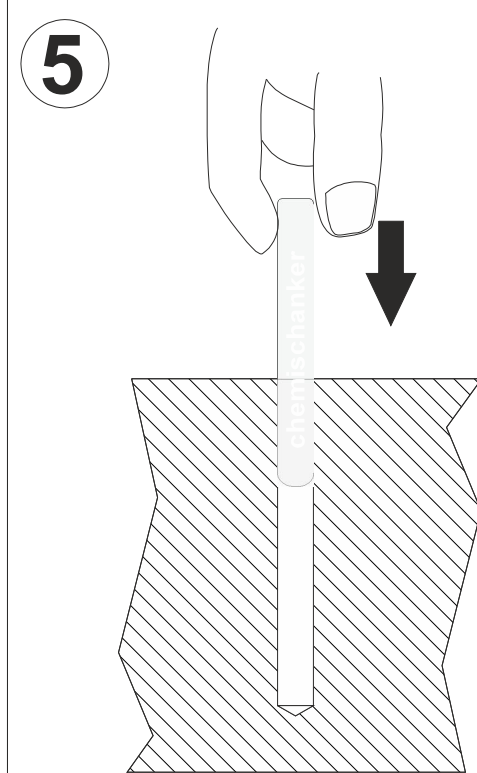
Determine the position of the product. Mark the outline and position of the holes on the sub-soil.



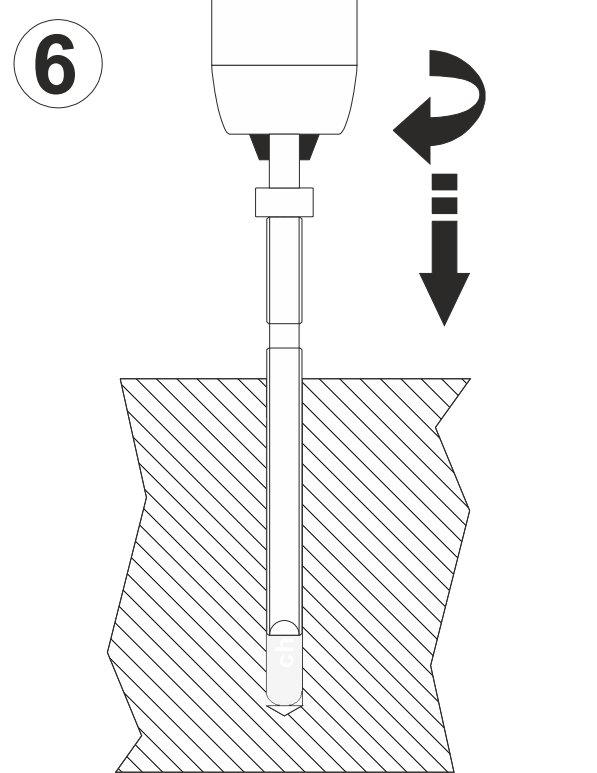
Drill holes in the sub-soil using the concrete drill. Depth as shown in the products drawing.



Brush the holes using the steel brush (Ø 11 mm). Clean the holes.

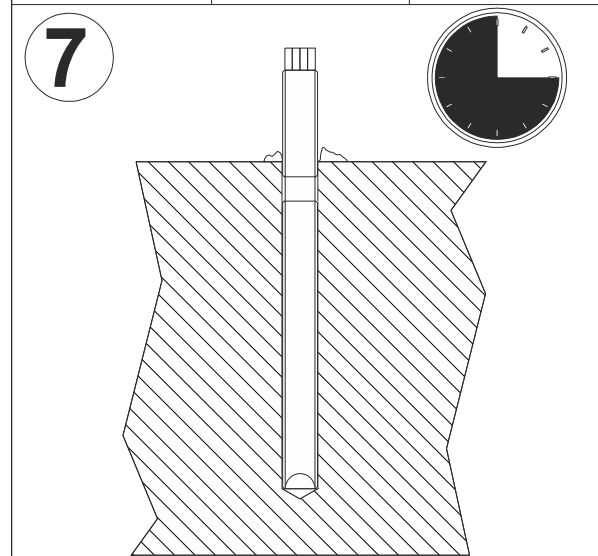


Insert capsule.

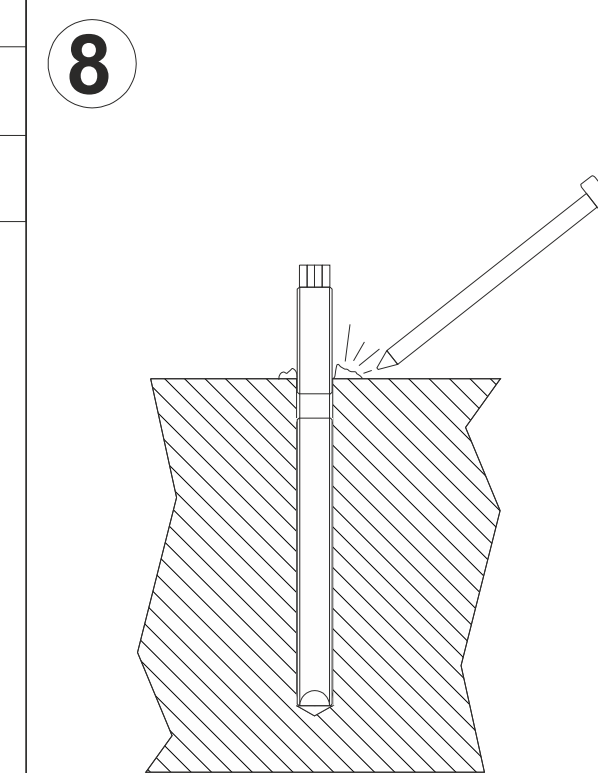


Place anchor shaft using the delivered tool.

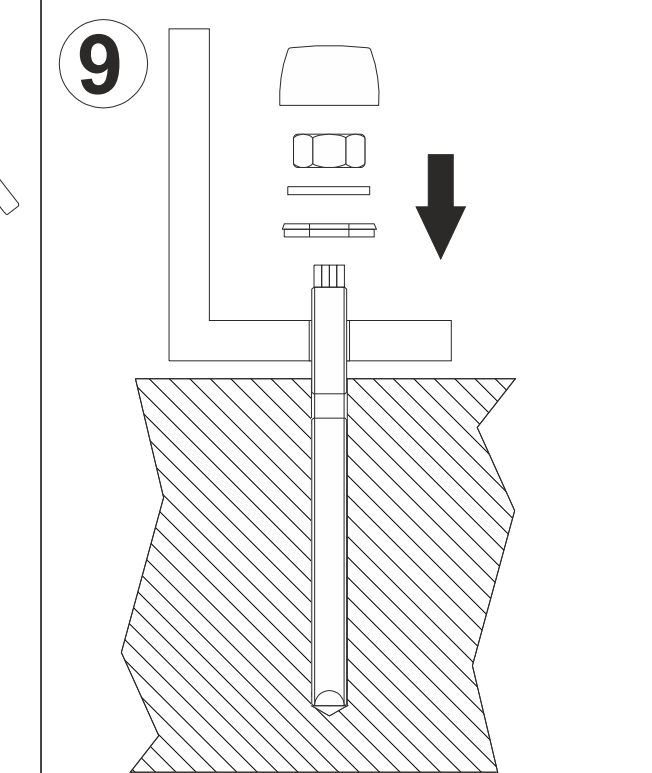
|                          | T=10°C   | T=20°C  |
|--------------------------|----------|---------|
| harden time dry concrete | 40 min.  | 20 min. |
| harden time wet concrete | 120 min. | 60 min. |



Leave the anchor to harden.



Remove any remains around the anchor shaft.



Mount the product. If necessary, shorten the anchor shaft using the hacksaw.