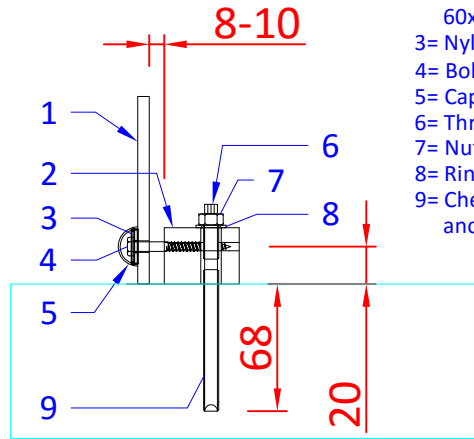
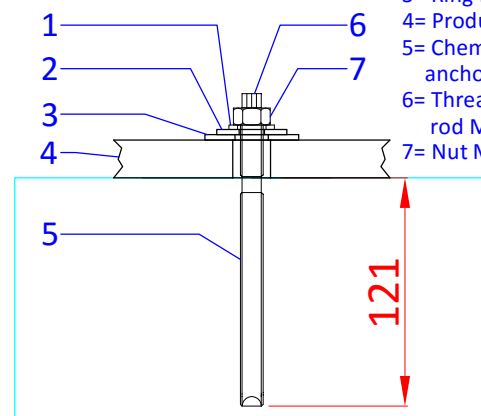


System B



- 1= Product
- 2= PVC block 60x40x30 mm
- 3= Nylon ring
- 4= Bolt Ø6x50 mm
- 5= Cap
- 6= Threaded rod M8
- 7= Nut M8
- 8= Ring M8
- 9= Chemical anchor M8

System E



- 1= Ring M12
- 2= Ring M16
- 3= Ring M20
- 4= Product flange
- 5= Chemical anchor M12
- 6= Threaded rod M12
- 7= Nut M12



Sportlaan 9, 5683 CS Best, The Netherlands
 T +31 (0)499 393 540 | F +31 (0)499 393 744
 E info@aquadrolics.nl | www.aquadrolics.nl

PROJECT NAME:

Mounting

DRAWING NR:

2.3.1

PRODUCT:

1110 9906 Giant tumble bucket

SCALE:

1:25

FORMAT:

A4

DATE:

5-10-2015

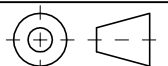
PROJECTION:

DIMENSION:

mm

DRAWN BY:

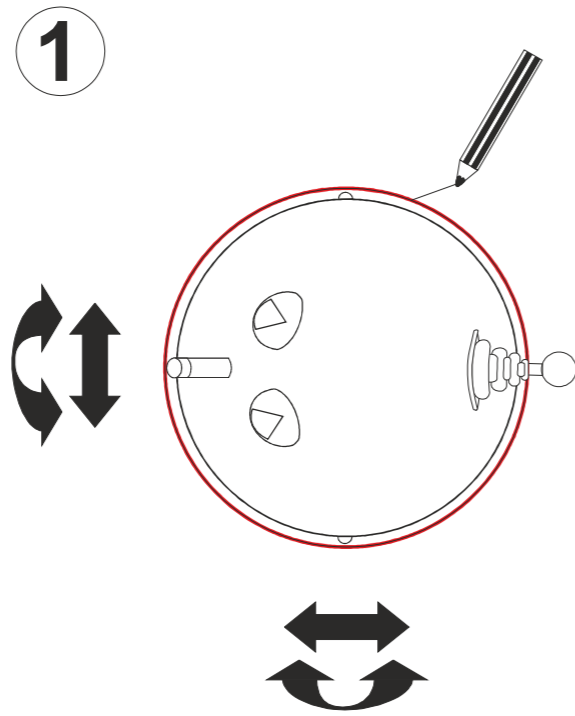
KH



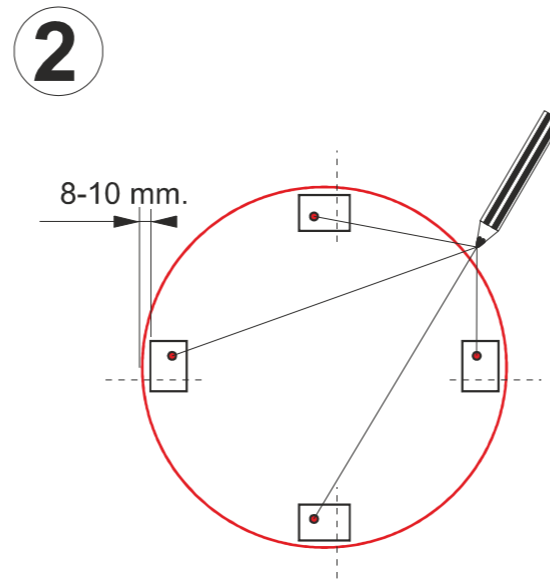
AQUA DROLICS
Mounting system B

Tools:

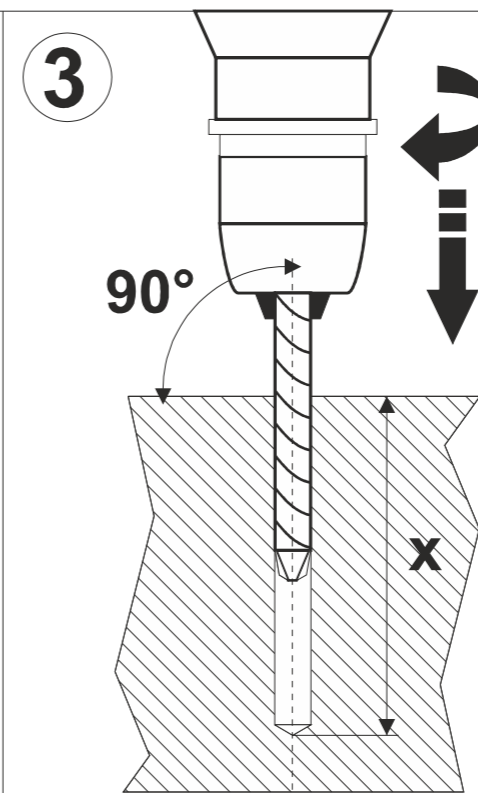
- drilling machine
- drill (steel) Ø 5 mm
- drill (concrete) Ø 10 mm
- steel brush Ø 11 mm
- pencil
- tape-measure
- wrench nr 10
- wrench nr 13



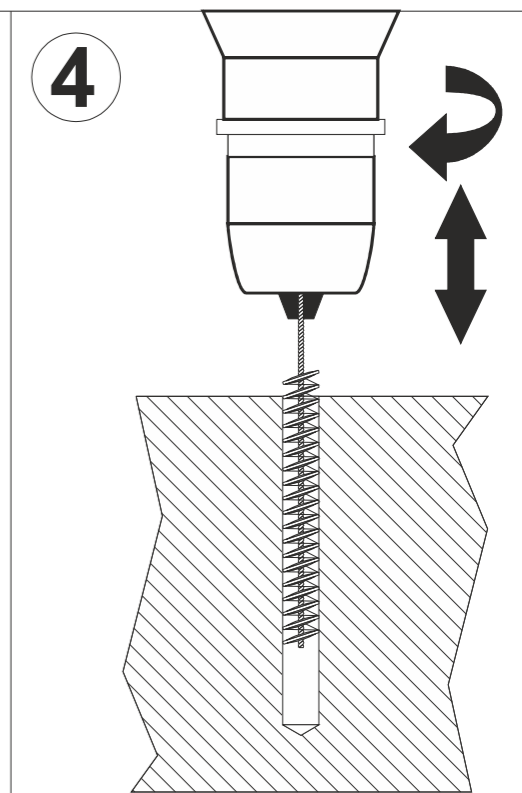
Determine the position of the product, then draw the contour with a pencil.



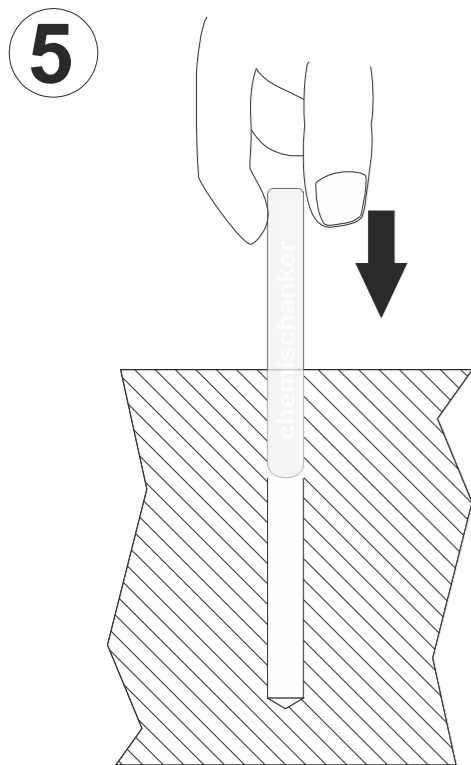
Position the PVC blocks at a distance of 8-10 mm from the edge of the product (as shown in drawing 2.3.1)



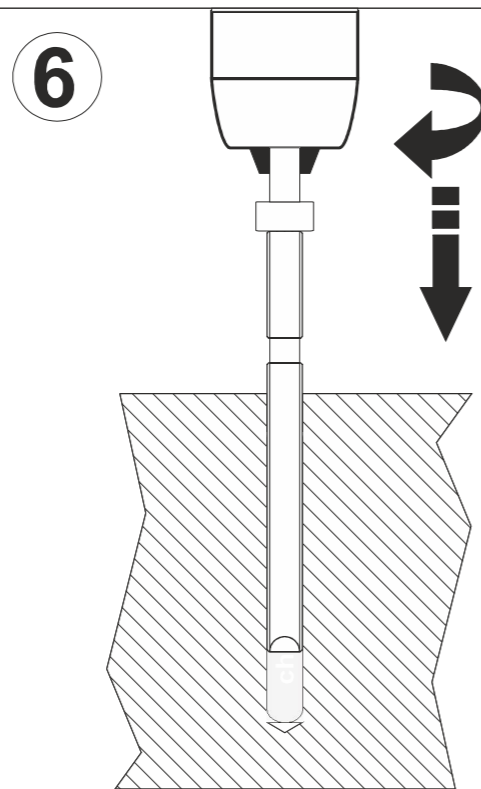
Drill holes Ø 10 in the sub-soil. Drilling depth is shown in the attached drawing.



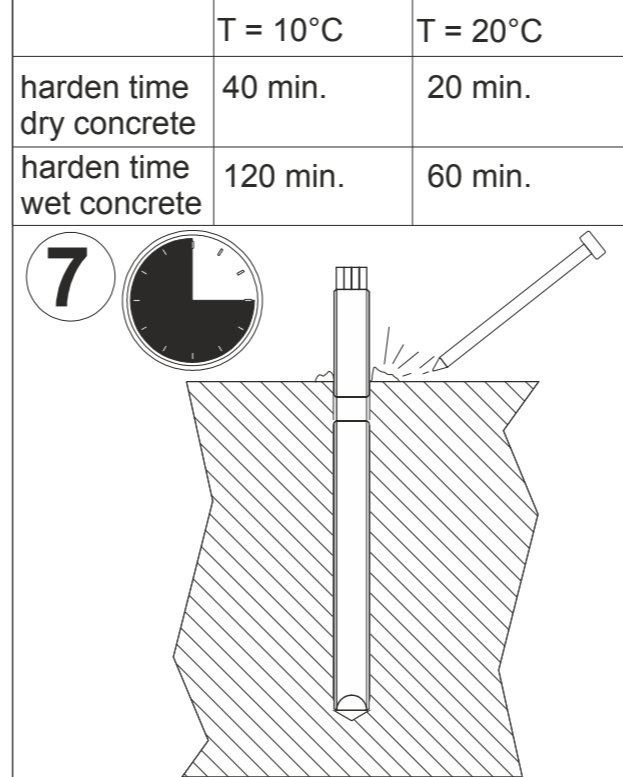
Brush the holes with the steel brush (Ø 11 mm). Remove any dust.



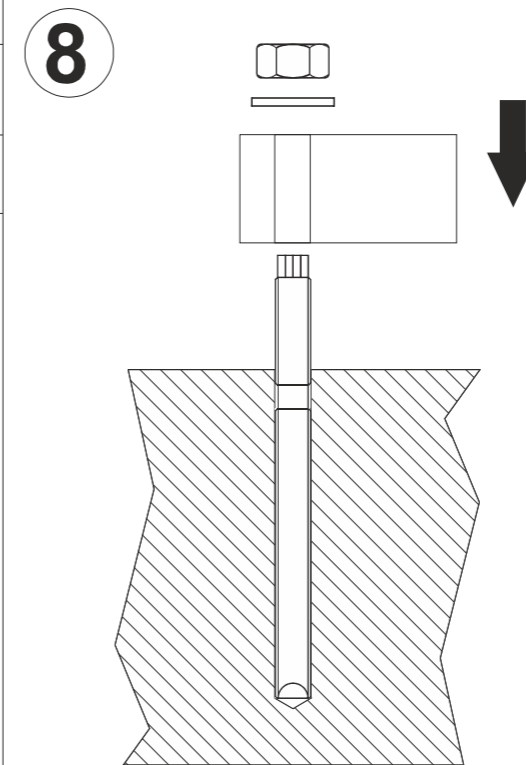
Insert capsule.



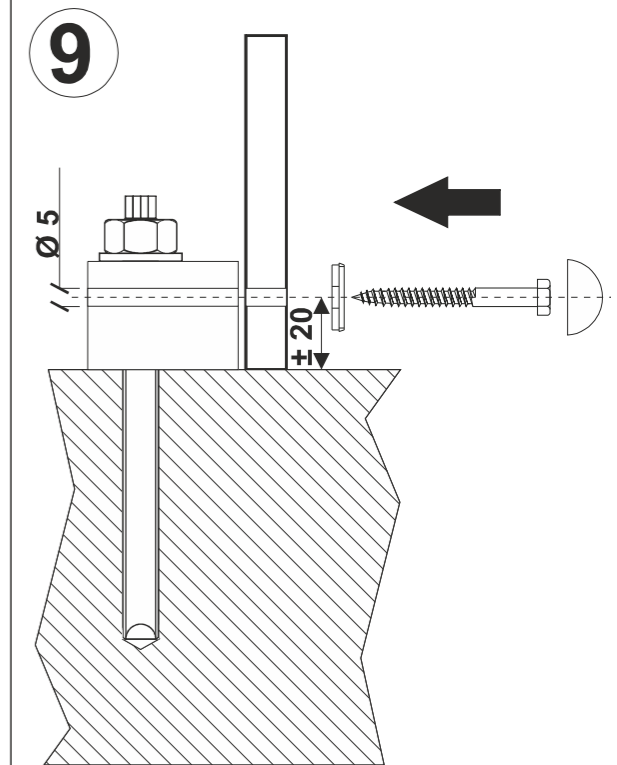
Insert anchor shaft, using the delivered tool.



Leave the anchor to harden. Afterwards, remove any remains around the shaft.



Mount the PVC blocks with ring and nut. Mark their location outside the outline of the product.

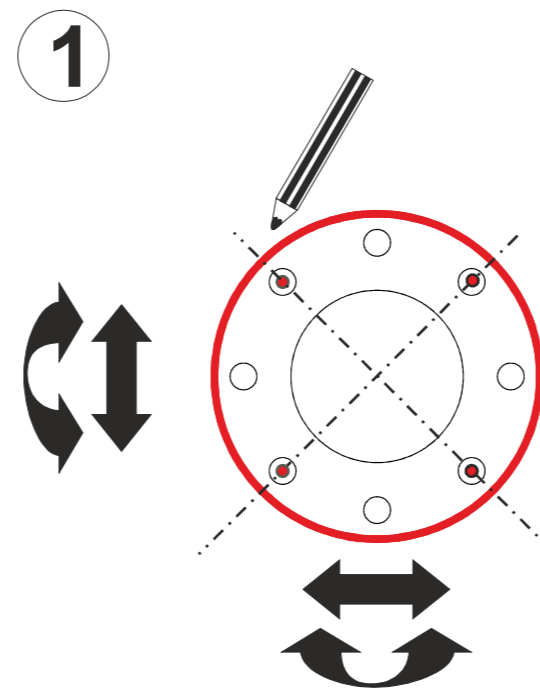


Place the product over the blocks. Drill a hole Ø 5 mm through the product in each of the PVC blocks. Fix the product on the blocks with the bolts Ø 6x50 mm. Put a nylon cap on every bolt.

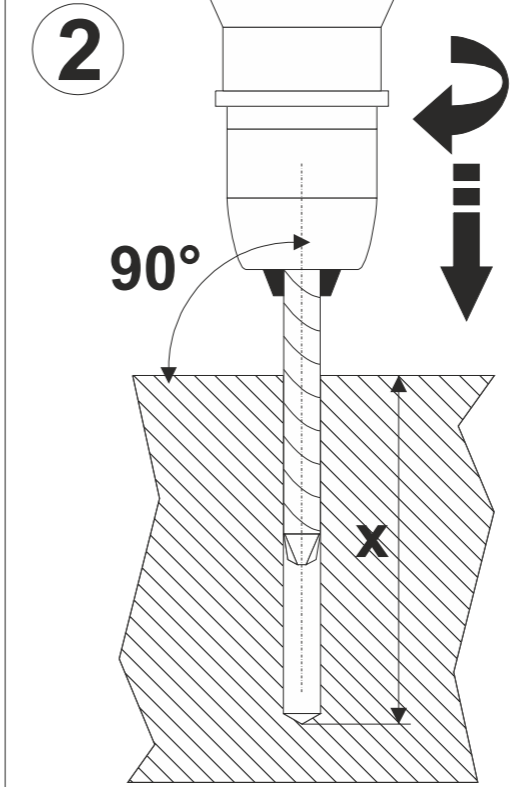
AQUA DROLICS
Mounting system E

Tools:

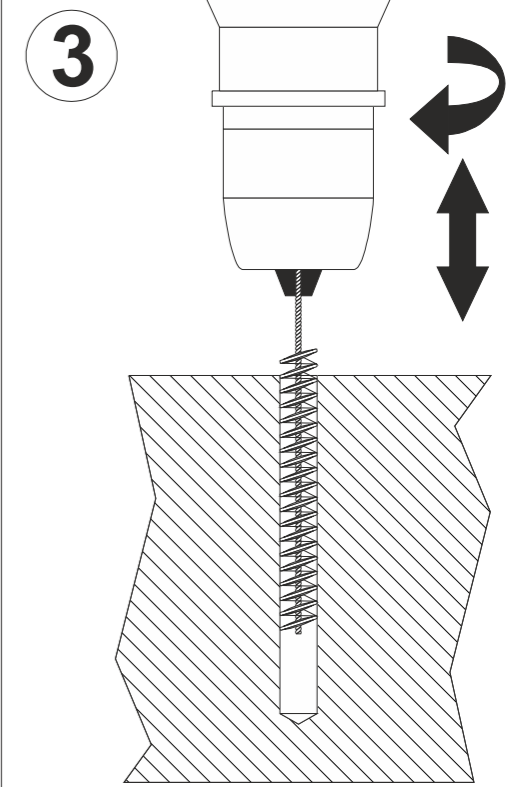
- drilling machine
- steel brush Ø 15 mm
- drill (concrete) Ø 14 mm
- pencil
- hacksaw
- measuring tape



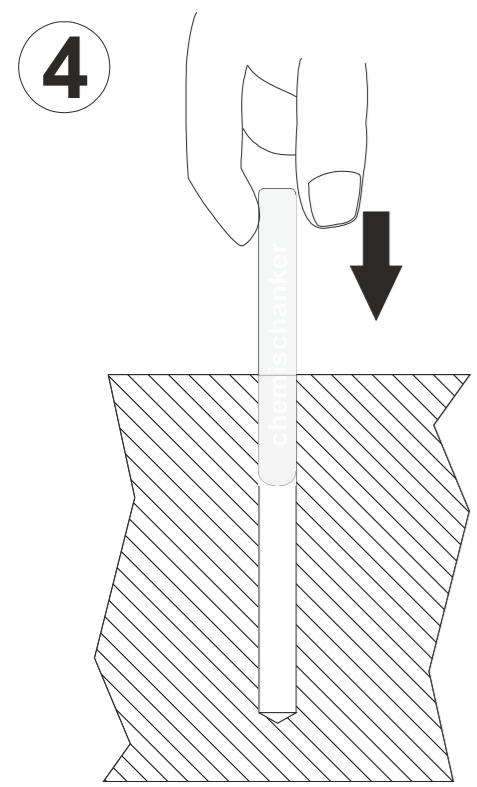
Determine the position of the product, then mark the outline and position of the holes on the sub-soil.



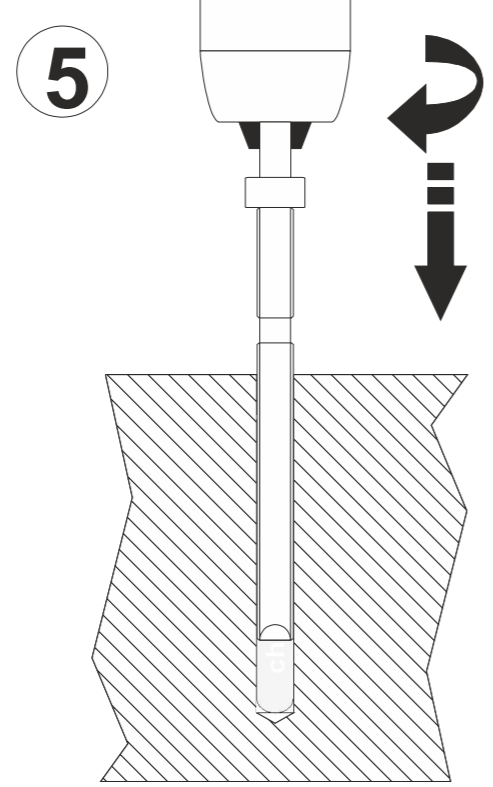
Drill holes in the sub-soil using the concrete drill Ø 14 mm. Depth as shown in the products drawing.



Brush the holes with the steel brush (Ø 15 mm). Clean the holes.

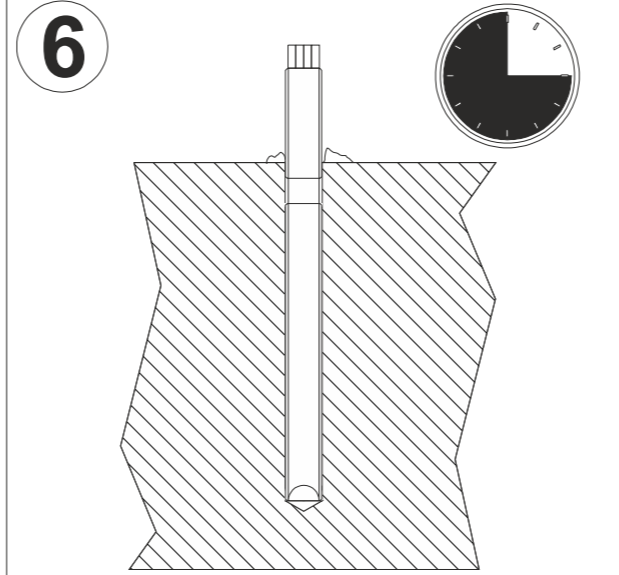


Insert capsule.

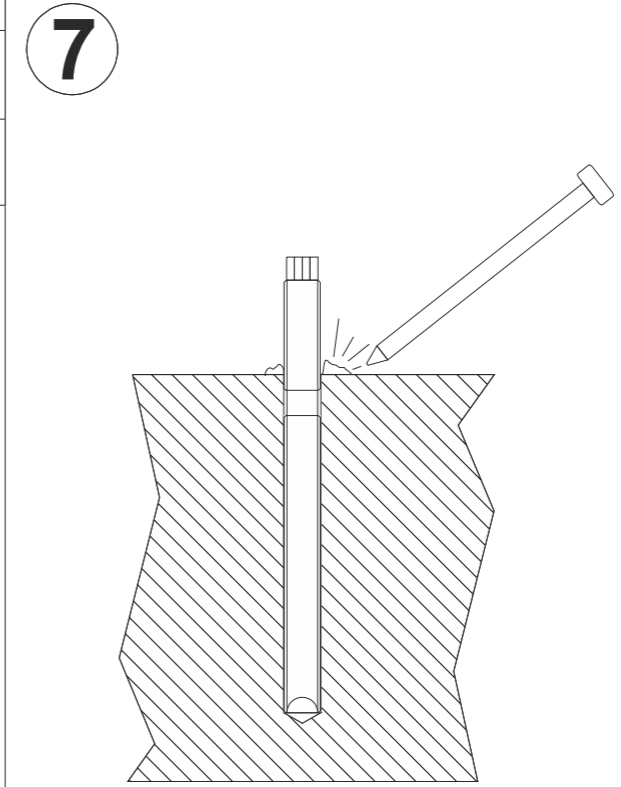


Insert anchor shaft, using the delivered tool.

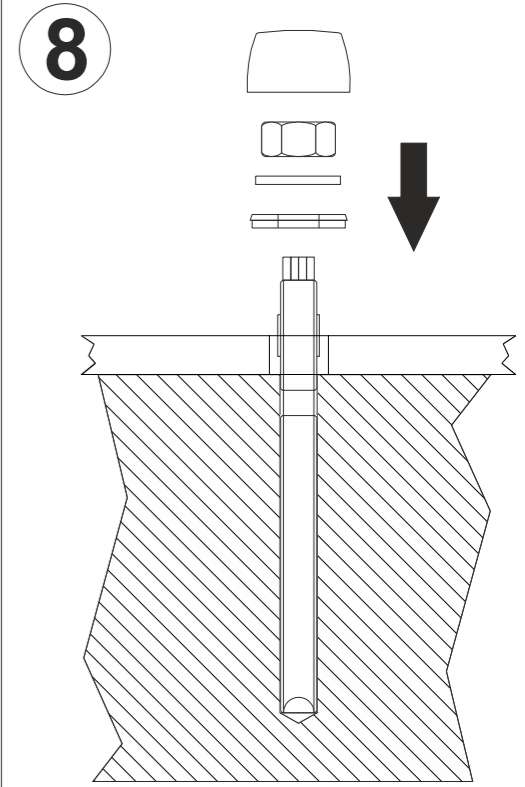
	T=10°C	T=20°C
harden time dry concrete	40 min.	20 min.
harden time wet concrete	120 min.	60 min.



Leave the anchor to harden.



Remove any remains around the shaft.



Mount the product. If necessary, shorten the anchor shaft.