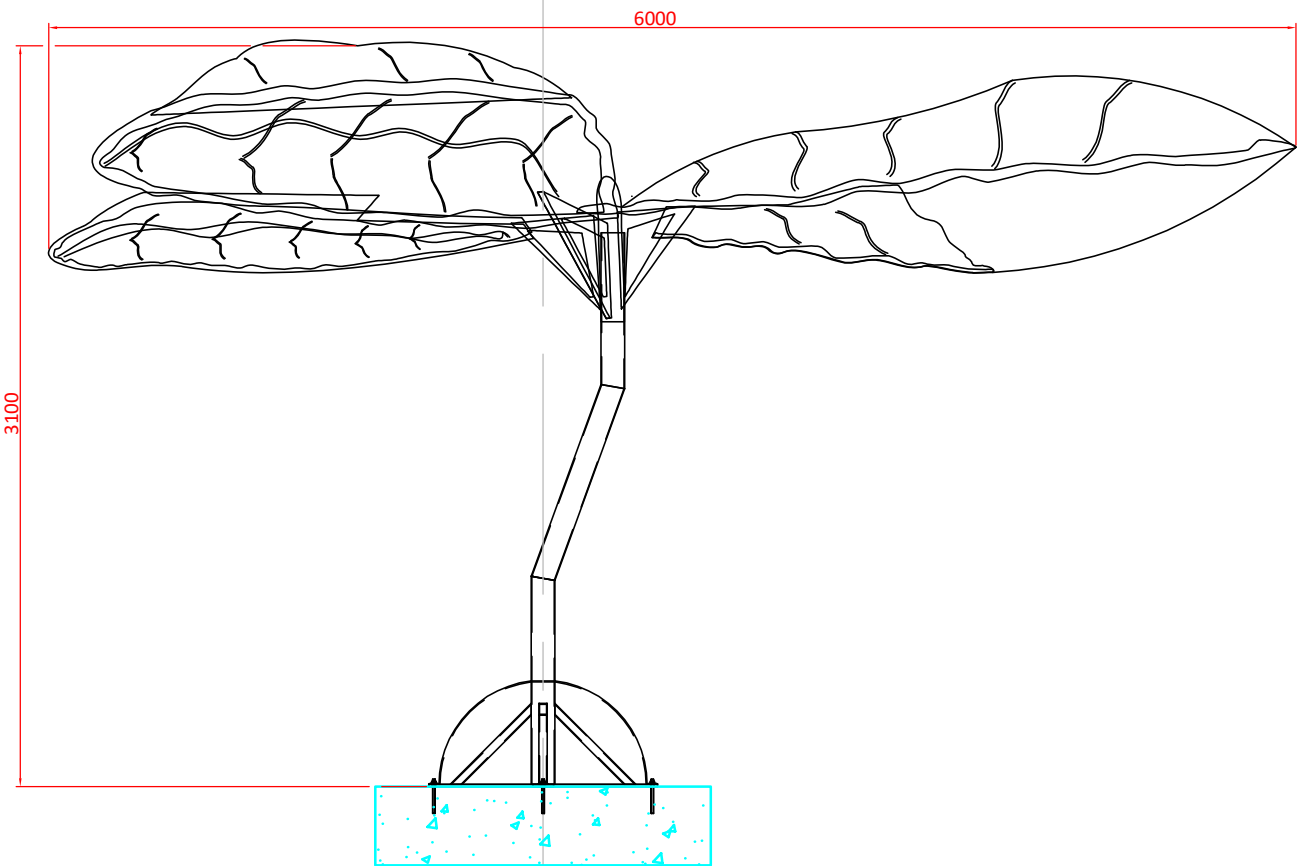
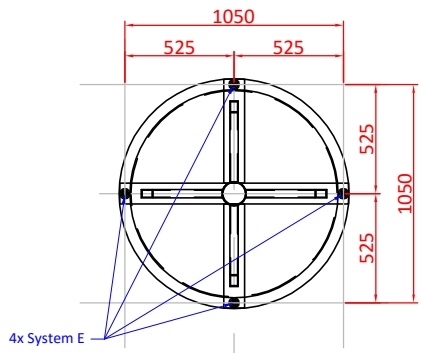
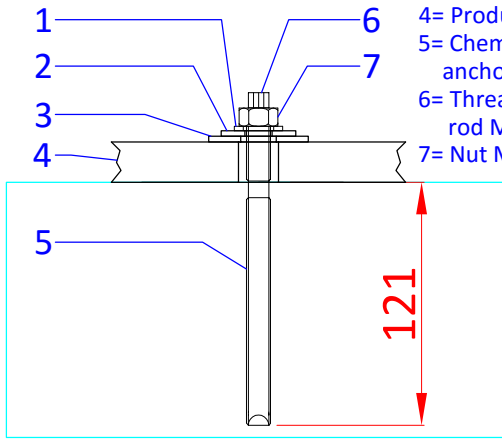


# System E

- 1= Ring M12
- 2= Ring M16
- 3= Ring M20
- 4= Product flange
- 5= Chemical anchor M12
- 6= Threaded rod M12
- 7= Nut M12



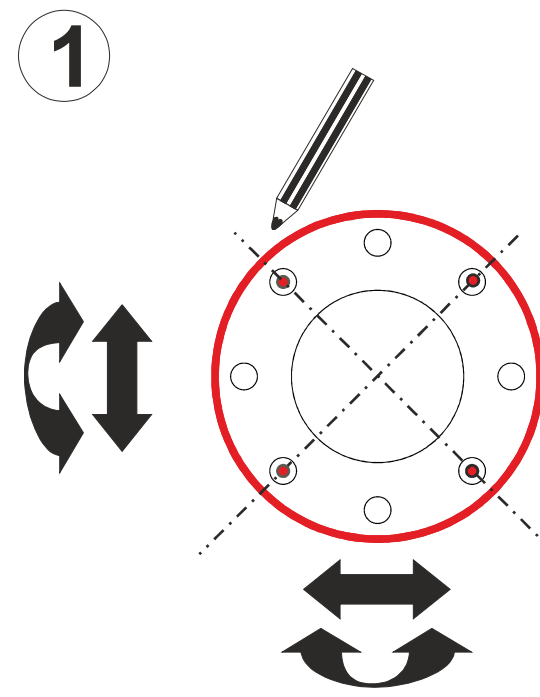
Sportlaan 9, 5683 CS Best, The Netherlands  
 T +31 (0)499 393 540 | F +31 (0)499 393 744  
 E info@aquadrolics.nl | www.aquadrolics.nl

PROJECT NAME: <b>Mounting</b>	SCALE: <b>FTS</b>	DIMENSION: <b>mm</b>
DRAWING NR: <b>2.3.1</b>	FORMAT: <b>A4</b>	DRAWN BY: <b>KH</b>
PRODUCT: <b>1110 9615 Shadow plant</b>	DATE: <b>9-12-2014</b>	PROJECTION: 

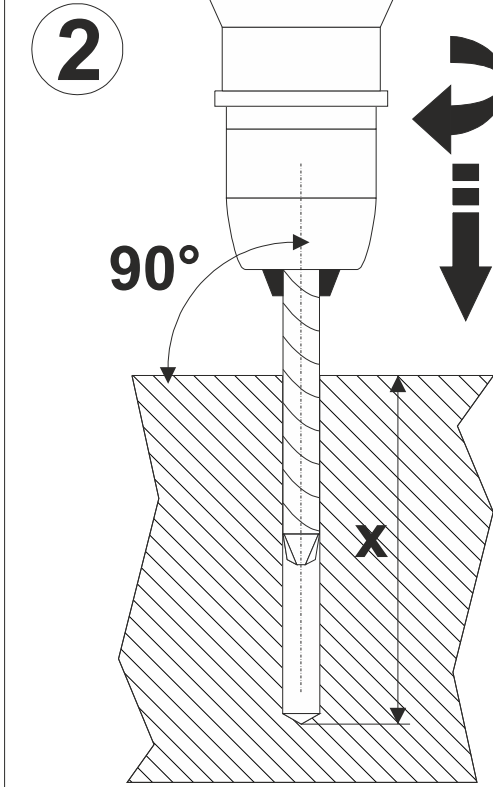
AQUA DROLICS  
Mounting system E

Tools:

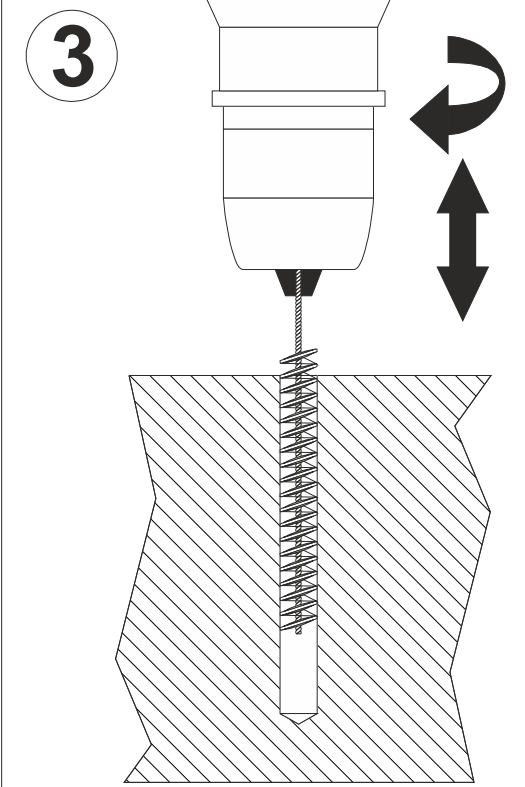
- drilling machine
- steel brush Ø 15 mm
- drill (concrete) Ø 14 mm
- pencil
- hacksaw
- measuring tape



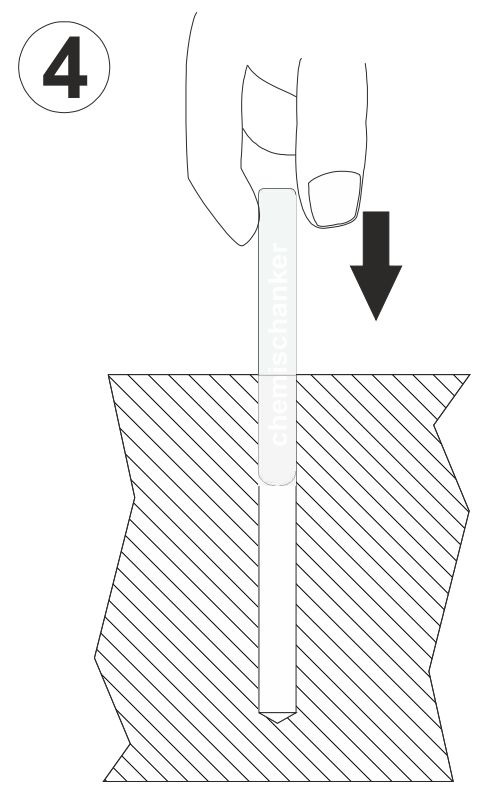
Determine the position of the product, then mark the outline and position of the holes on the sub-soil.



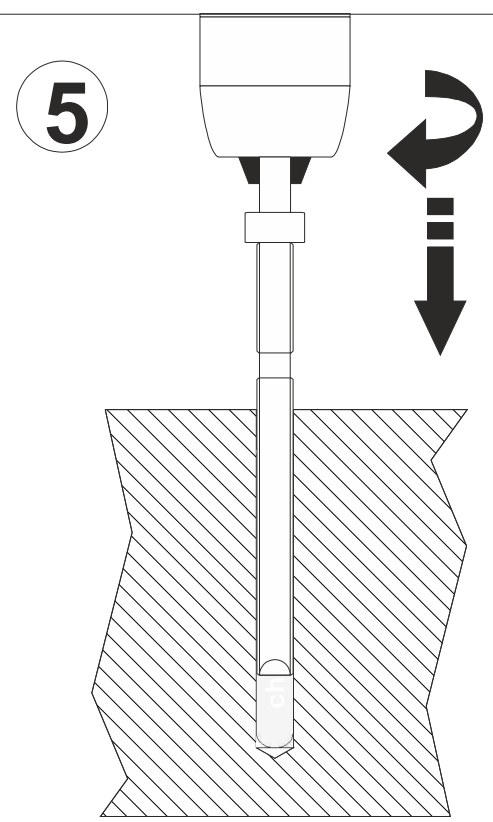
Drill holes in the sub-soil using the concrete drill Ø 14 mm. Depth as shown in the products drawing.



Brush the holes with the steel brush (Ø 15 mm). Clean the holes.

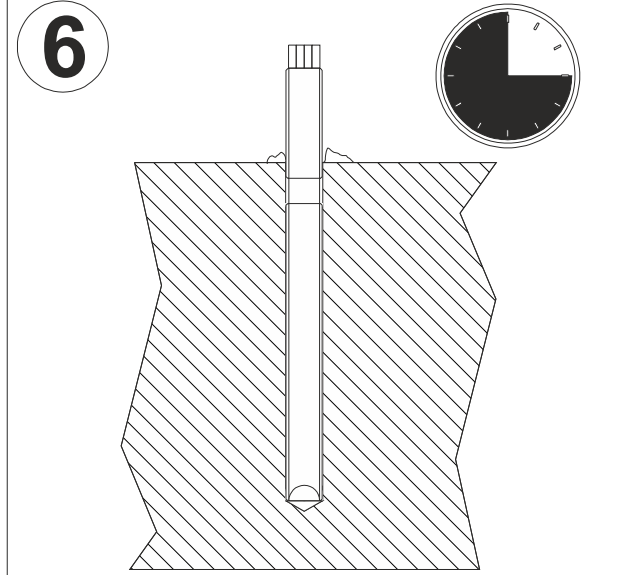


Insert capsule.

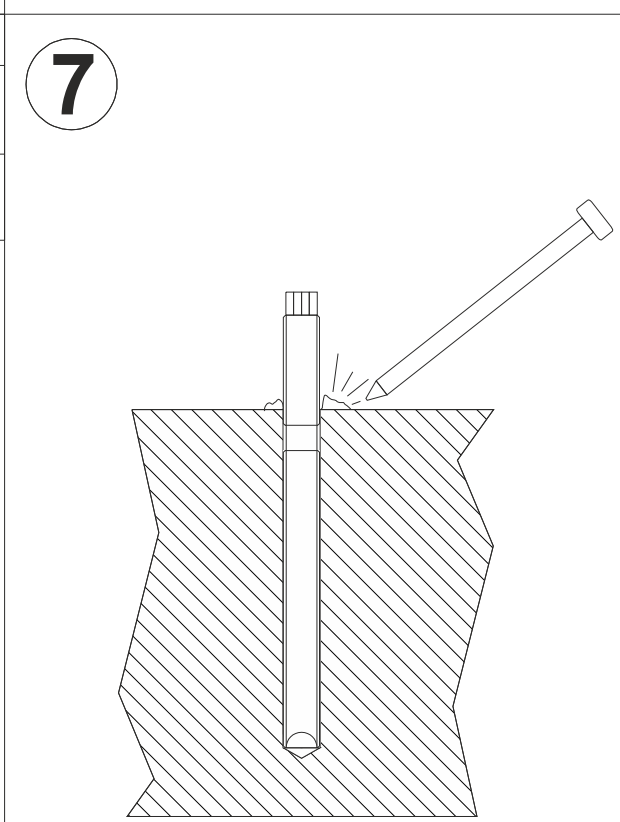


Insert anchor shaft, using the delivered tool.

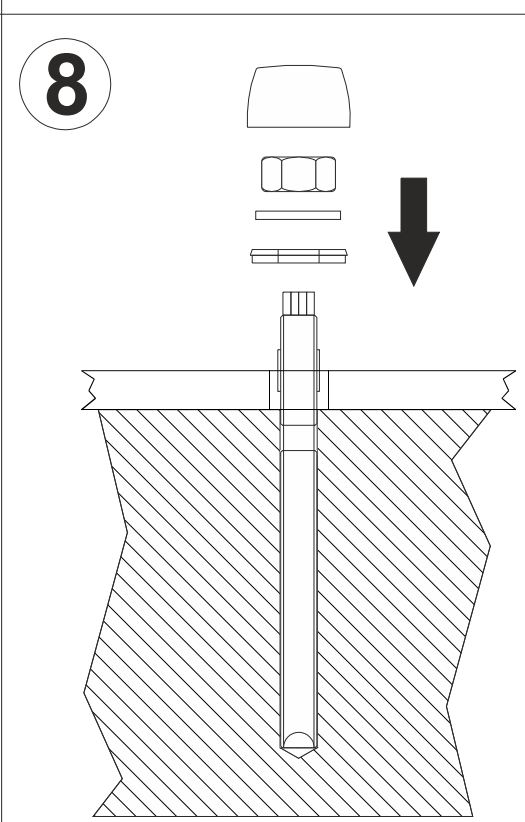
	T=10°C	T=20°C
harden time dry concrete	40 min.	20 min.
harden time wet concrete	120 min.	60 min.



Leave the anchor to harden.



Remove any remains around the shaft.



Mount the product. If necessary, shorten the anchor shaft.