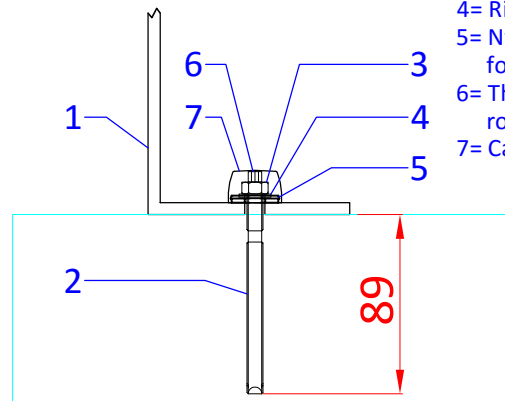


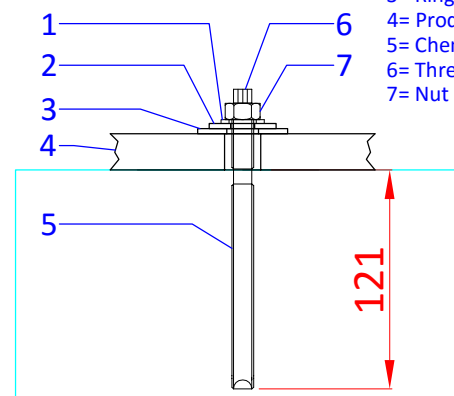
System D

- 1= Product
- 2= Chemical anchor M8
- 3= Nut M8
- 4= Ring M8
- 5= Nylon ring for cap
- 6= Threaded rod M8
- 7= Cap



System E

- 1= Ring M12
- 2= Ring M16
- 3= Ring M20
- 4= Product flange
- 5= Chemical anchor M12
- 6= Threaded rod M12
- 7= Nut M12



\\NASDATA\Data\6. Kwaliteitsbeheersing\1b. TÜV-certificaten\2. Brulbare info\aquadrolics logo.bmp

PROJECT NAME:

Mounting

SCALE:

FTS

DIMENSION:

mm

FORMAT:

A4

DRAWN BY:

KH

DRAWING NR:

2.3.1

DATE:

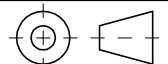
31-10-2014

Sportlaan 9, 5683 CS Best, The Netherlands
 T +31 (0)499 393 540 | F +31 (0)499 393 744
 E info@aquadrolics.nl | www.aquadrolics.nl

PRODUCT:

1110 9039 Mushroom Ø 160 cm

PROJECTION:

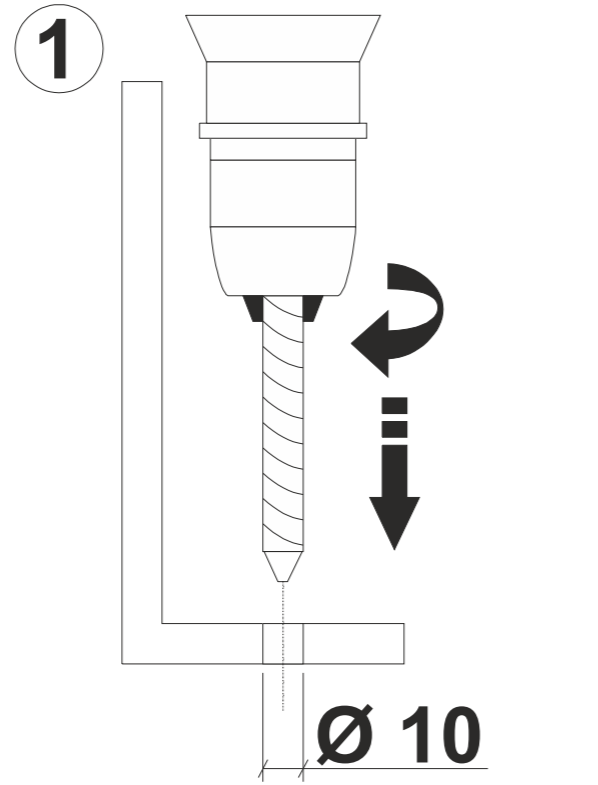




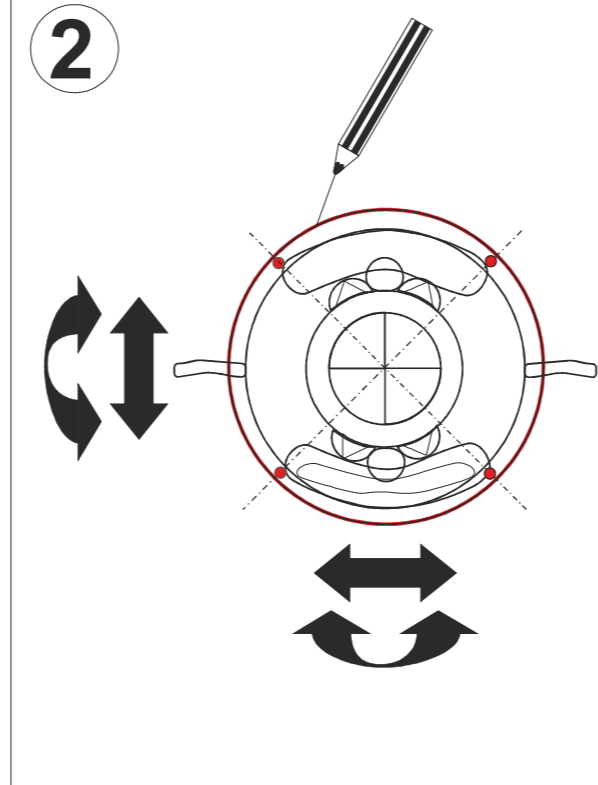
AQUA DROLICS
Mounting system D

Tools:

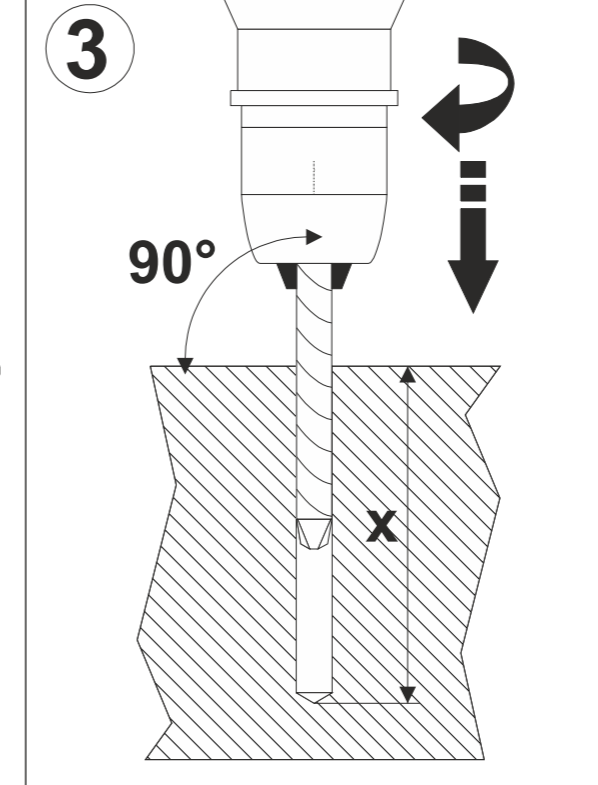
- drilling machine
- drill (steel) Ø 10 mm
- drill (concrete) Ø 10 mm
- steel brush Ø 11 mm
- pencil
- hacksaw
- measuring tape
- wrench nr 13



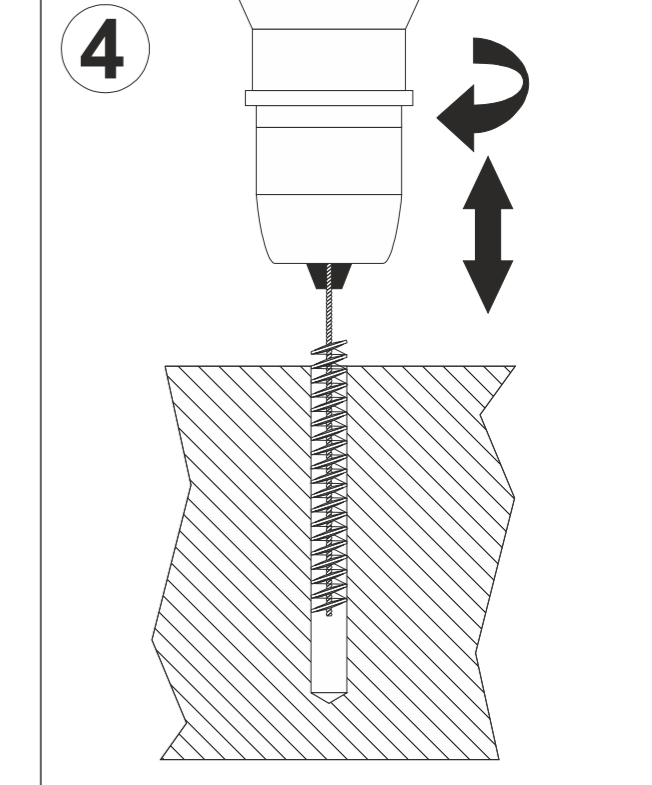
Drill 4 holes Ø 10 in the product flange, as shown in the products drawing.



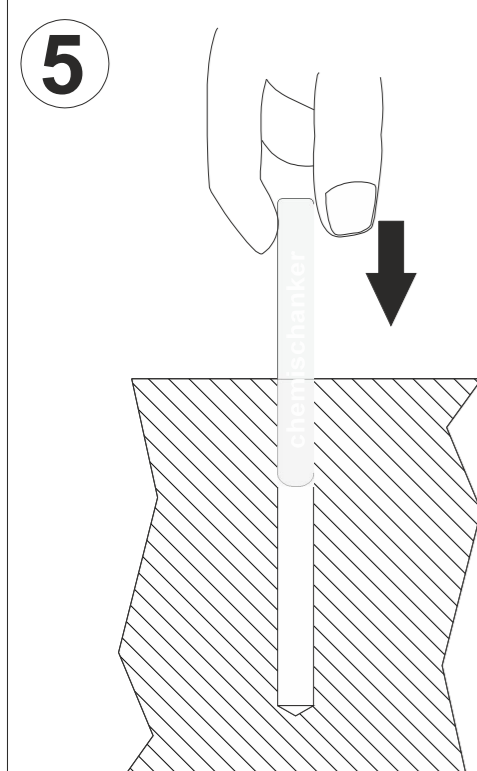
Determine the position of the product. Mark the outline and position of the holes on the sub-soil.



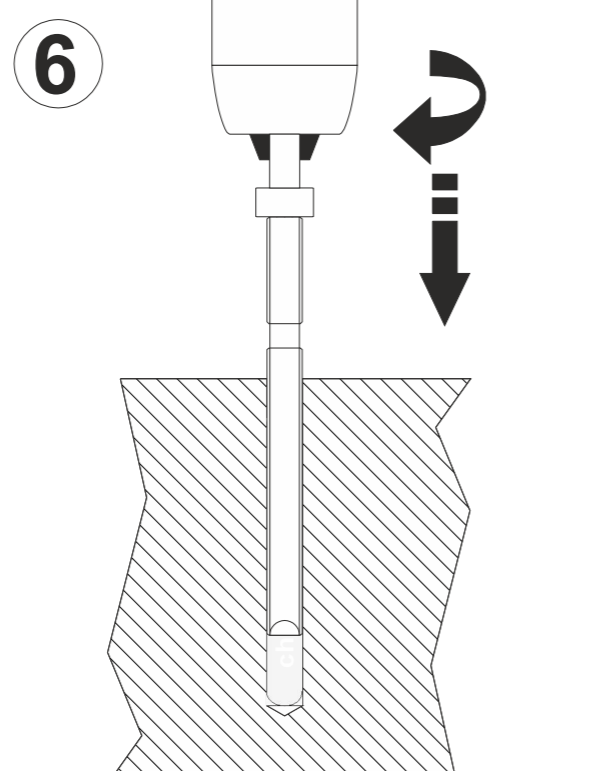
Drill holes in the sub-soil using the concrete drill. Depth as shown in the products drawing.



Brush the holes using the steel brush (Ø 11 mm). Clean the holes.

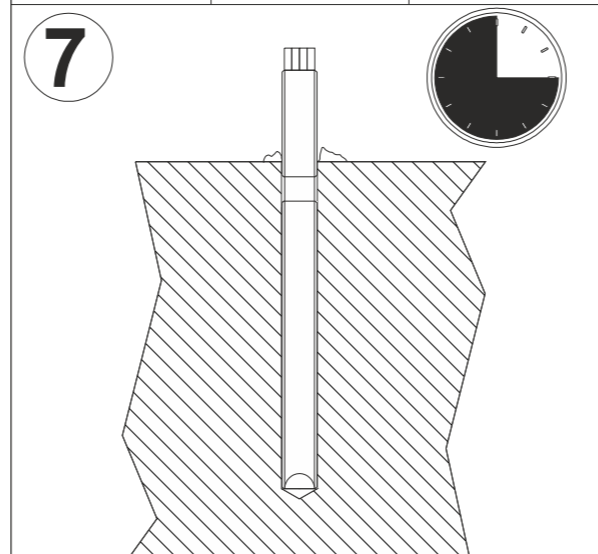


Insert capsule.

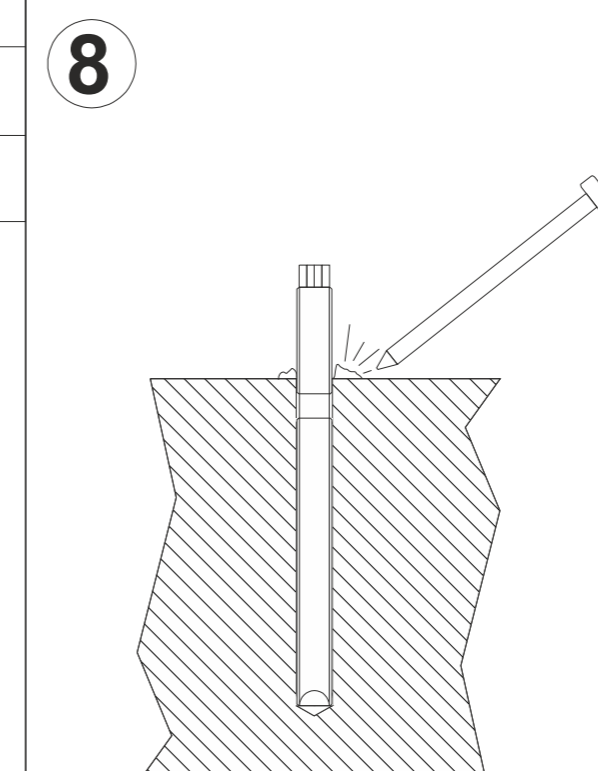


Place anchor shaft using the delivered tool.

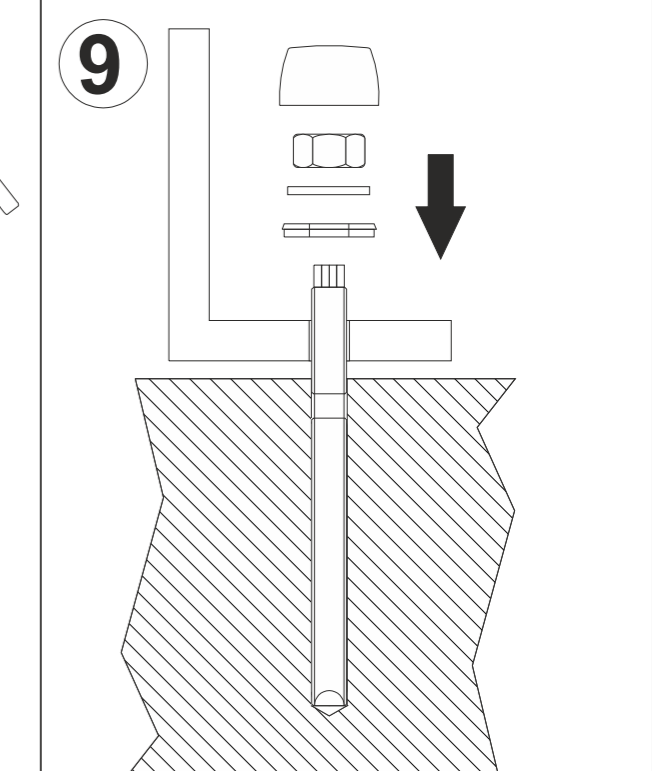
	T=10°C	T=20°C
harden time dry concrete	40 min.	20 min.
harden time wet concrete	120 min.	60 min.



Leave the anchor to harden.



Remove any remains around the anchor shaft.

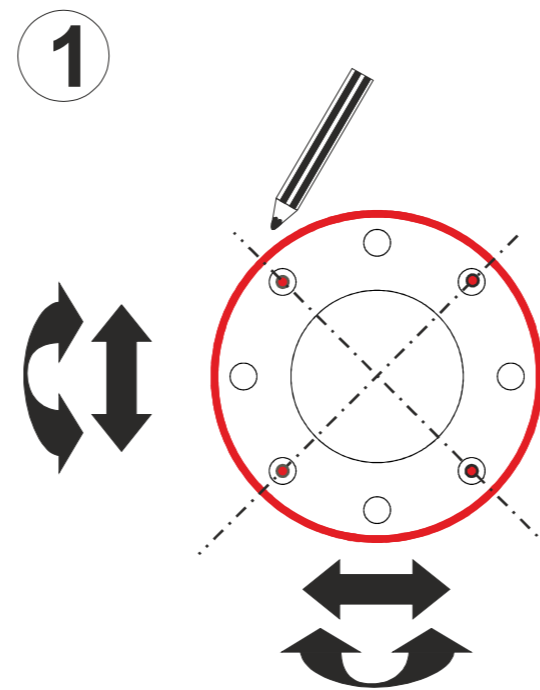


Mount the product. If necessary, shorten the anchor shaft using the hacksaw.

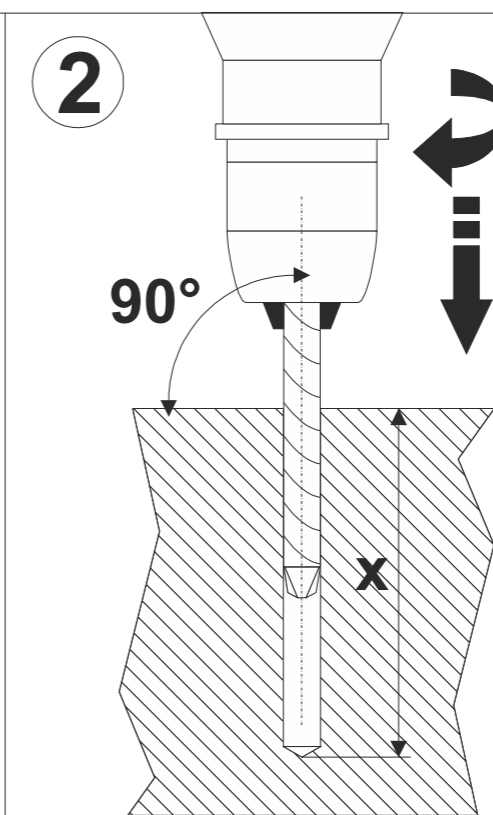
AQUA DROLICS
Mounting system E

Tools:

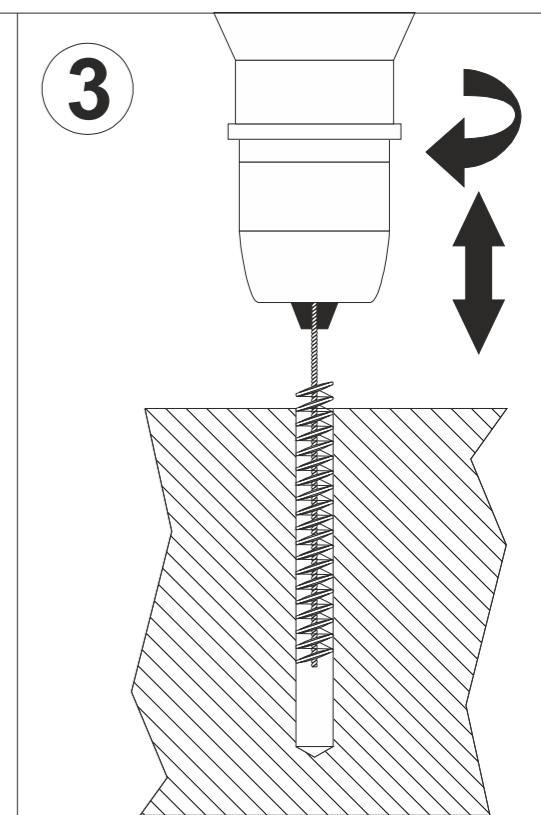
- drilling machine
- steel brush Ø 15 mm
- drill (concrete) Ø 14 mm
- pencil
- hacksaw
- measuring tape



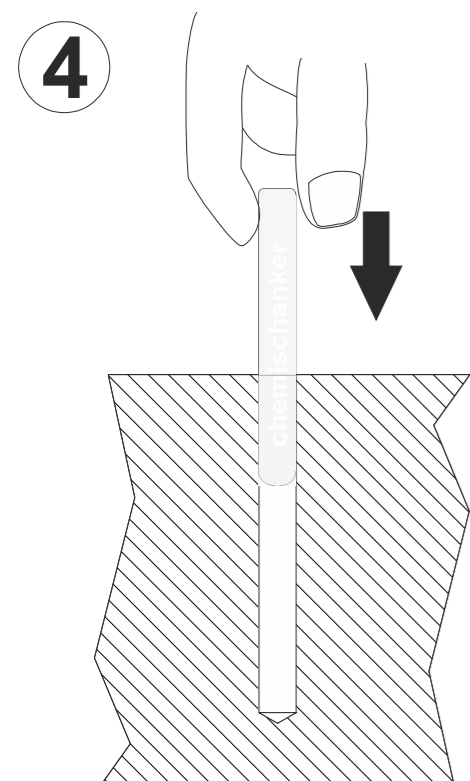
Determine the position of the product, then mark the outline and position of the holes on the sub-soil.



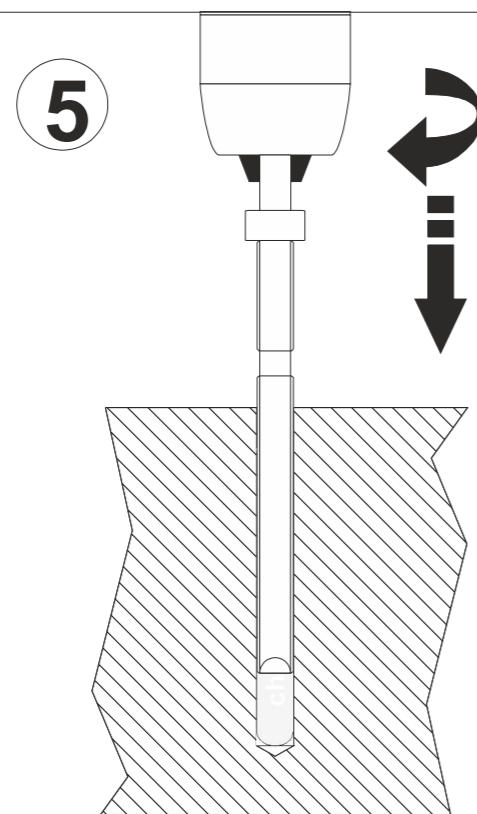
Drill holes in the sub-soil using the concrete drill Ø 14 mm. Depth as shown in the products drawing.



Brush the holes with the steel brush (Ø 15 mm). Clean the holes.

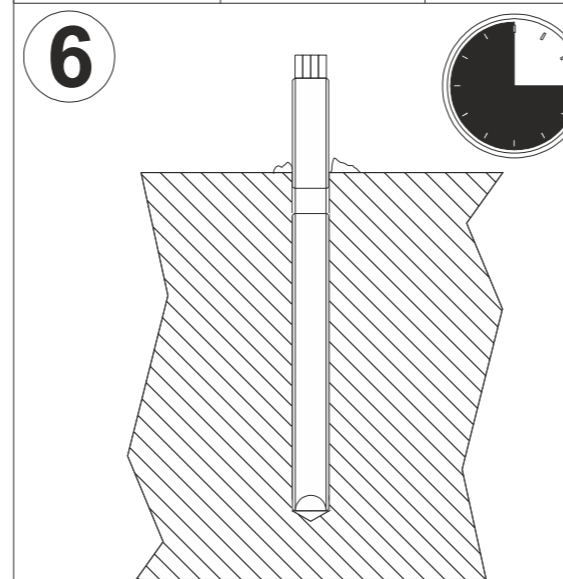


Insert capsule.

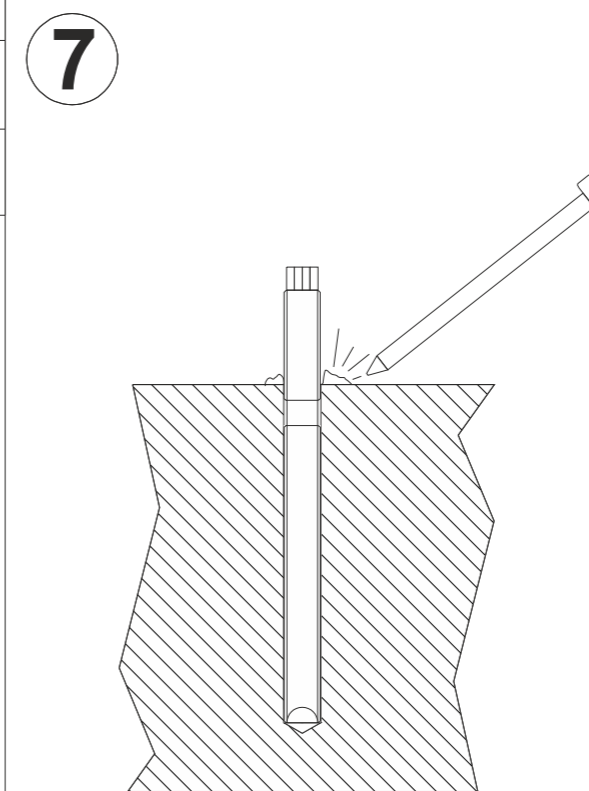


Insert anchor shaft, using the delivered tool.

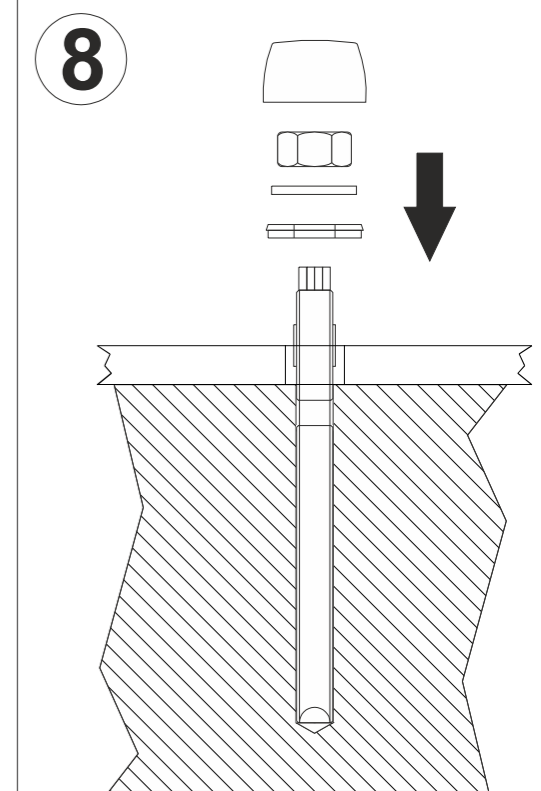
	T=10°C	T=20°C
harden time dry concrete	40 min.	20 min.
harden time wet concrete	120 min.	60 min.



Leave the anchor to harden.



Remove any remains around the shaft.



Mount the product. If necessary, shorten the anchor shaft.