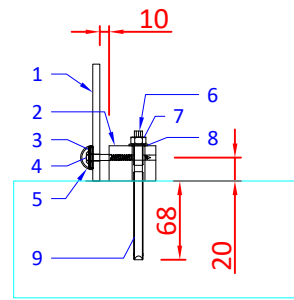
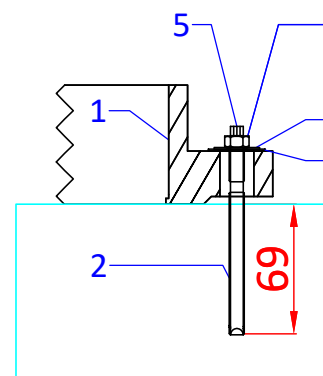


### System B



- 1= Product
- 2= PVC block  
60x40x30 mm
- 3= Nylon ring
- 4= Bolt Ø6x50 mm
- 5= Cap
- 6= Threaded rod M8
- 7= Nut M8
- 8= Ring M8
- 9= Chemical anchor M8

### System D



- 1= Product
- 2= Chemical anchor M8
- 3= Nut M8
- 4= Carr. ring M8
- 5= Threaded rod M8
- 6= Carr. ring M10



PROJECT NAME:

Mounting

SCALE:

VARIES

DIMENSION:

mm

FORMAT:

A4

DRAWN BY:

MT

DRAWING NR:

2.3.1

DATE:

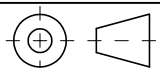
06-01-2017

Sportlaan 9, 5683 CS Best, The Netherlands  
T +31 (0)499 393 540 | F +31 (0)499 393 744  
E info@aquadrolics.nl | www.aquadrolics.nl

PRODUCT:

1420 9869 Jungle mini arch

PROJECTION:

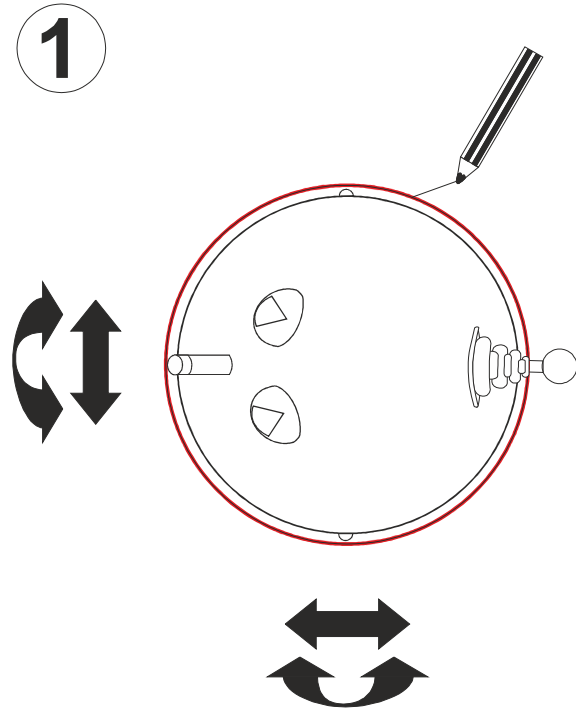




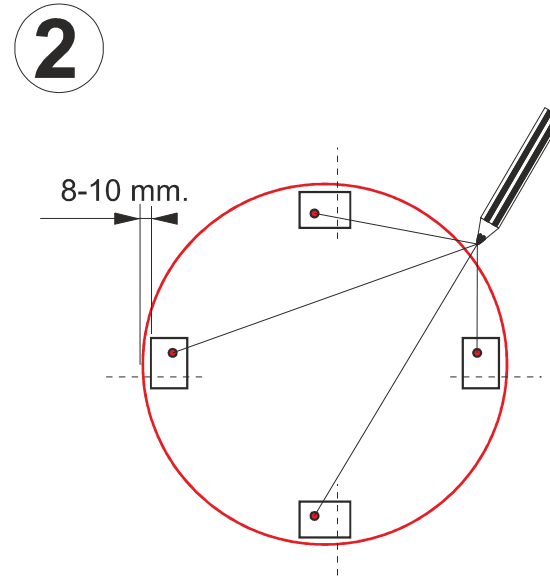
**AQUA DROLICS**  
Mounting system B

Tools:

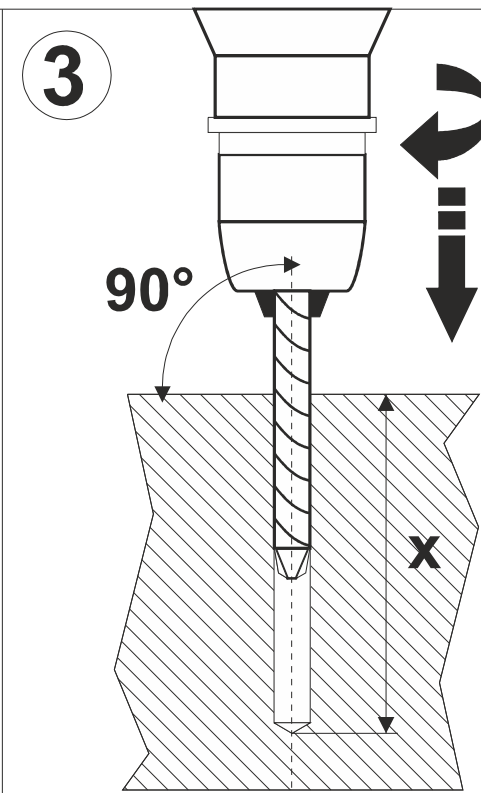
- drilling machine
- drill (steel) Ø 5 mm
- drill (concrete) Ø 10 mm
- steel brush Ø 11 mm
- pencil
- tape-measure
- wrench nr 10
- wrench nr 13



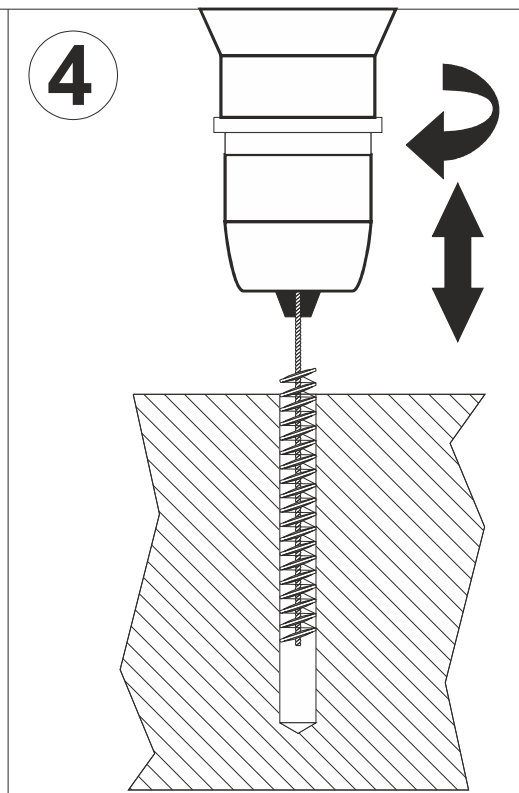
Determine the position of the product, then draw the contour with a pencil.



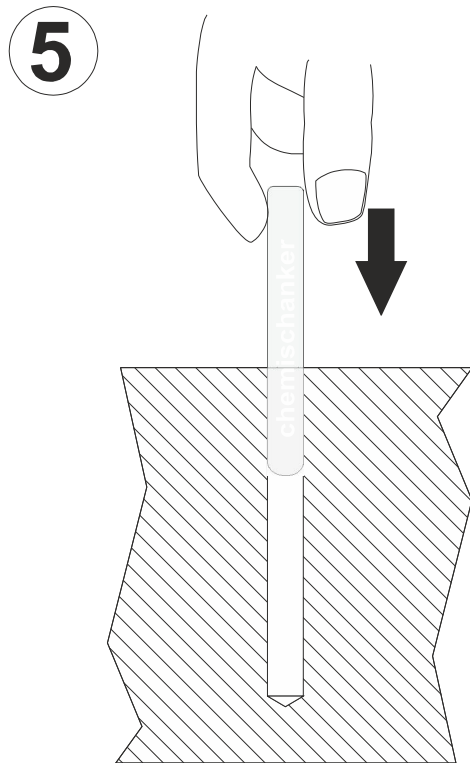
Position the PVC blocks at a distance of 8-10 mm from the edge of the product (as shown in drawing 2.3.1)



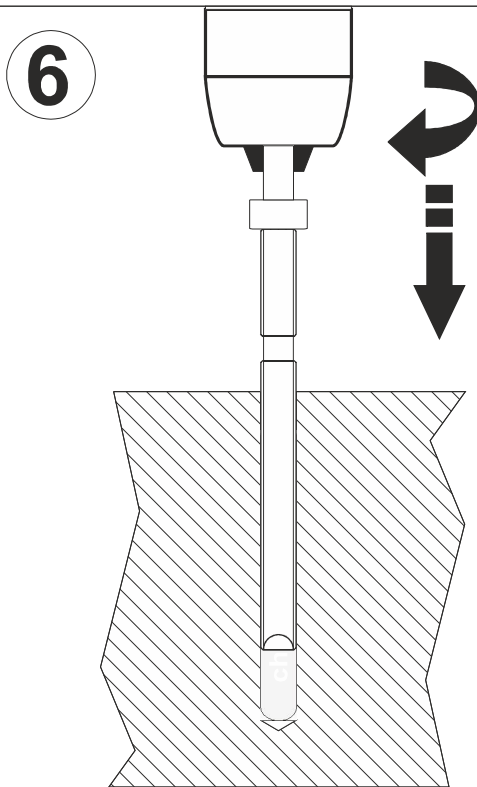
Drill holes Ø 10 in the sub-soil. Drilling depth is shown in the attached drawing.



Brush the holes with the steel brush (Ø 11 mm). Remove any dust.

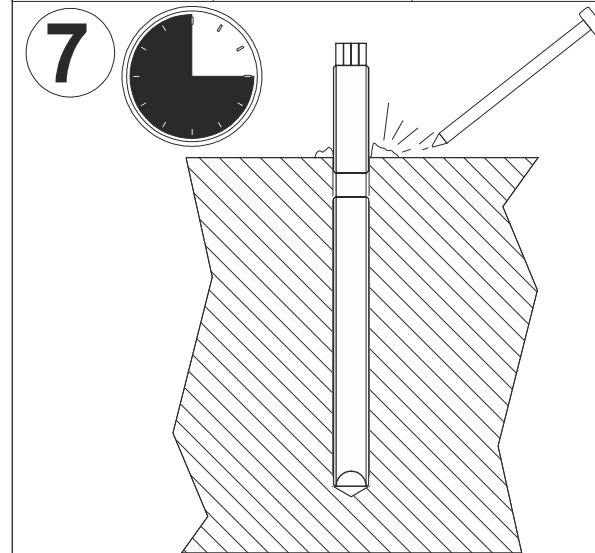


Insert capsule.

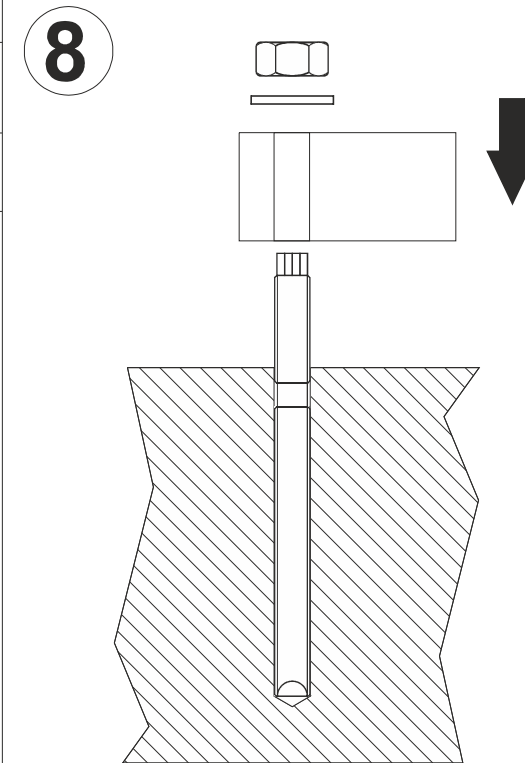


Insert anchor shaft, using the delivered tool.

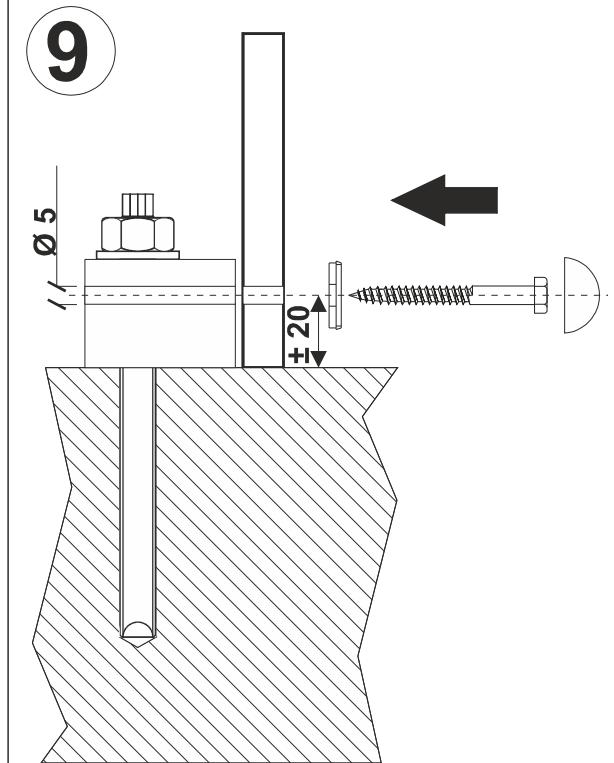
	T = 10°C	T = 20°C
harden time dry concrete	40 min.	20 min.
harden time wet concrete	120 min.	60 min.



Leave the anchor to harden. Afterwards, remove any remains around the shaft.



Mount the PVC blocks with ring and nut. Mark their location outside the outline of the product.



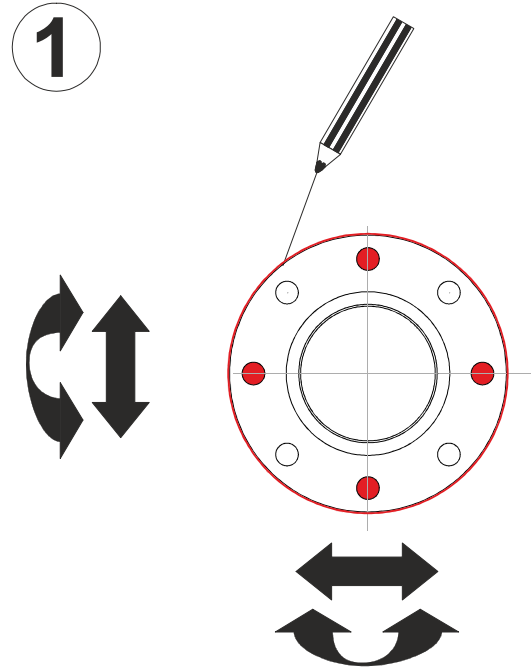
Place the product over the blocks. Drill a hole Ø 5 mm through the product in each of the PVC blocks. Fix the product on the blocks with the bolts Ø 6x50 mm. Put a nylon cap on every bolt.



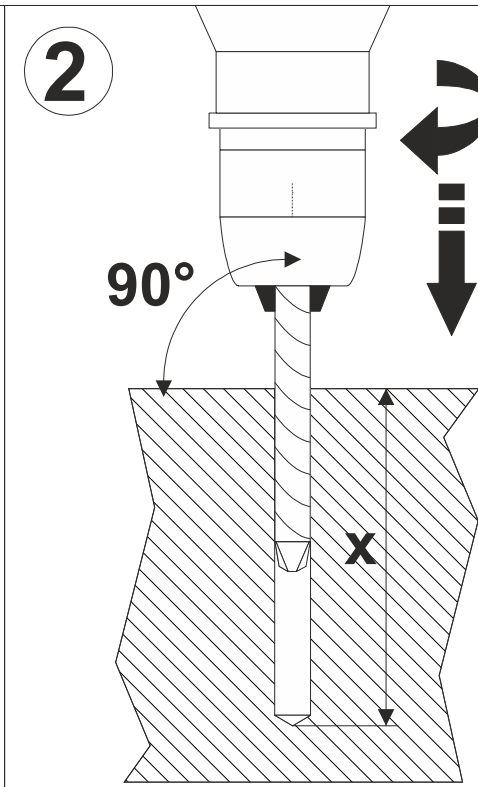
**AQUA DROLICS**  
Mounting system D-2

Tools:

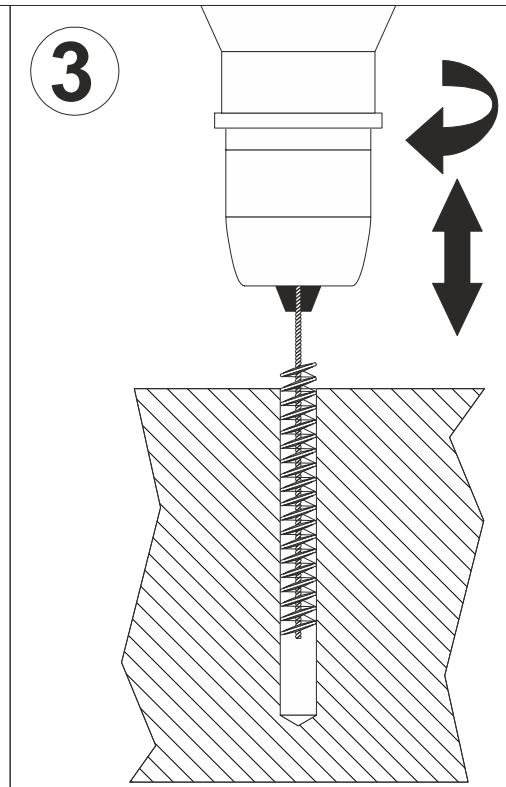
- Drilling machine
- Mounting system D
- Body ring M8
- Body ring M10
- Concrete drill Ø 10 mm
- Steel brush Ø 11 mm
- Pencil
- Measuring tape
- Wrench nr 13



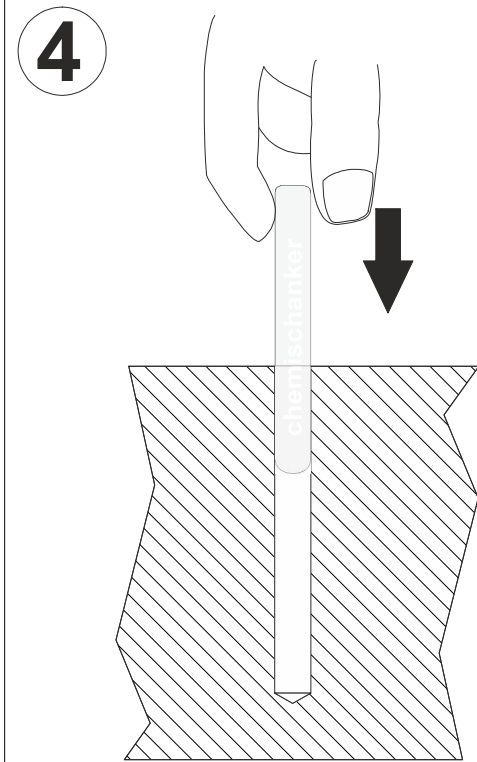
**1**  
Determine the position of the product. Mark the outline and position of the holes on the sub-soil.



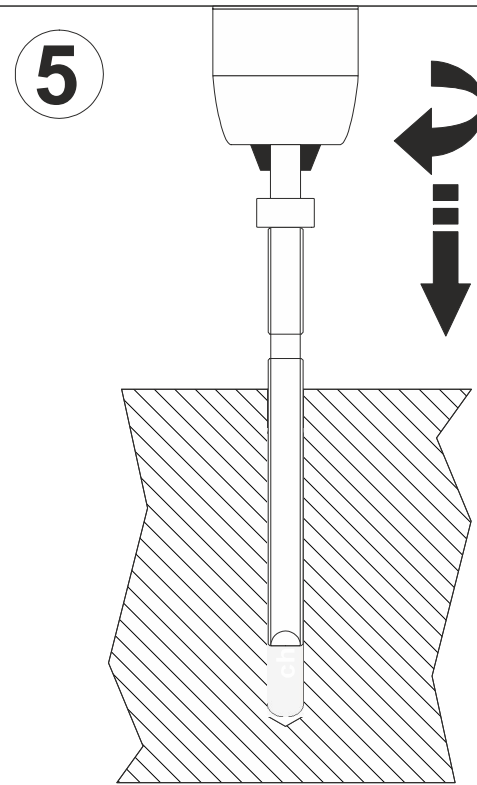
**2**  
Drill holes in the sub-soil using the concrete drill Ø 10 mm. Depth as shown in the products drawing.



**3**  
Brush the holes using the steel brush (Ø 11 mm). Clean the holes.

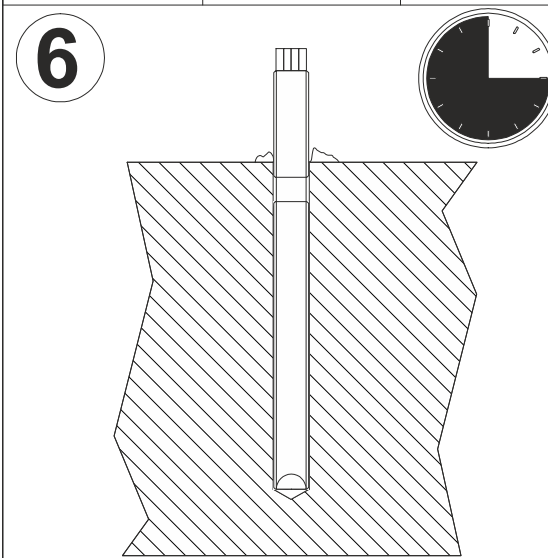


**4**  
Insert capsule.

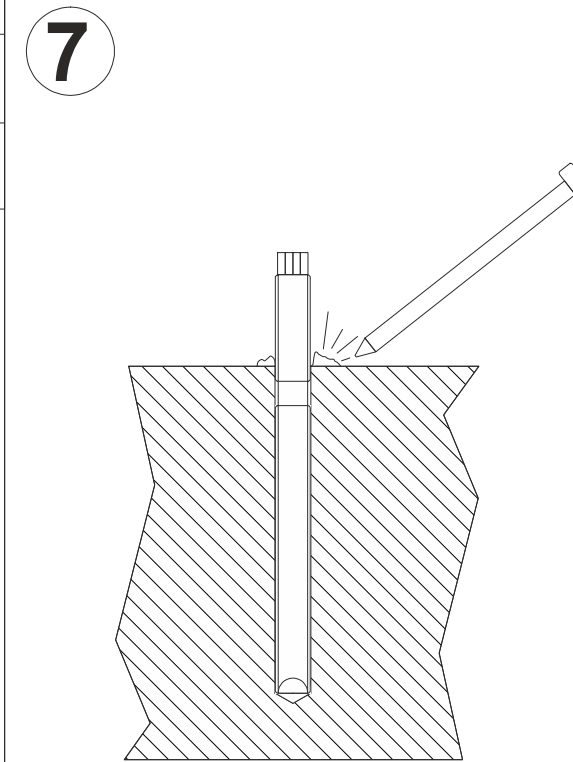


**5**  
Place anchor shaft using the delivered tool.

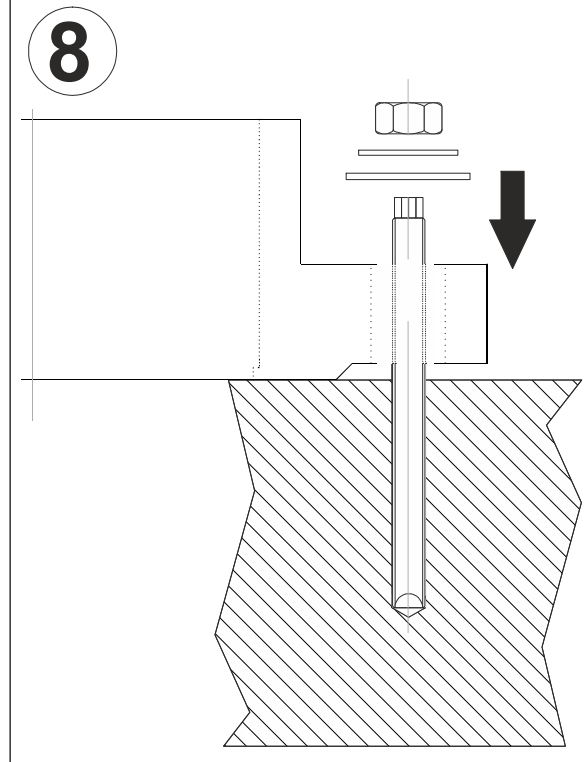
	T=10°C	T=20°C
Harden time dry concrete	40 min.	20 min.
Harden time wet concrete	120 min.	60 min.



**6**  
Leave the anchor to harden.



**7**  
Remove any remains around the anchor shaft.



**8**  
Mount the product.