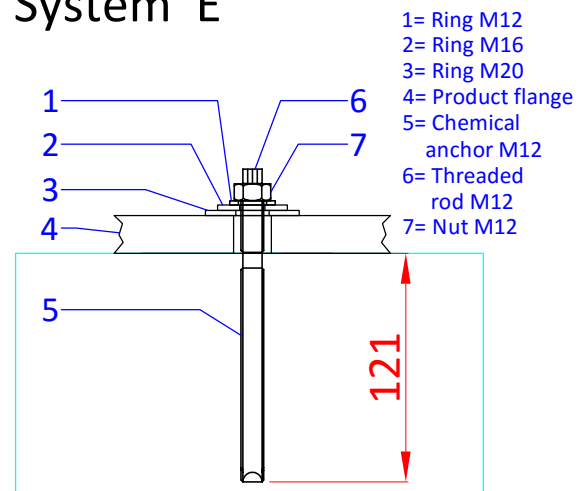


### System E



Sportlaan 9, 5683 CS Best, The Netherlands  
 T +31 (0)499 393 540 | F +31 (0)499 393 744  
 E info@aquadrolics.nl | www.aquadrolics.nl

PROJECT NAME:

Mounting

DRAWING NR:

2.3

PRODUCT:

1420 9830 Jungle shooting object turning discs

SCALE:

FTS

FORMAT:

A4

DATE:

03-08-2016

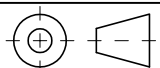
PROJECTION:

DIMENSION:

mm

DRAWN BY:

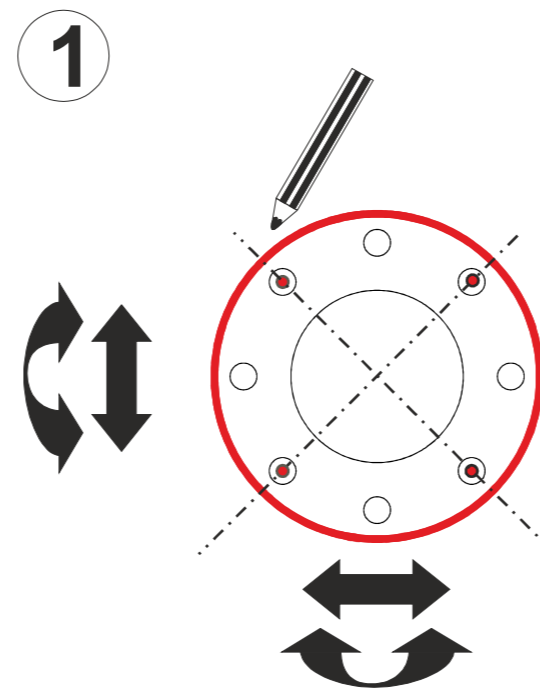
MT



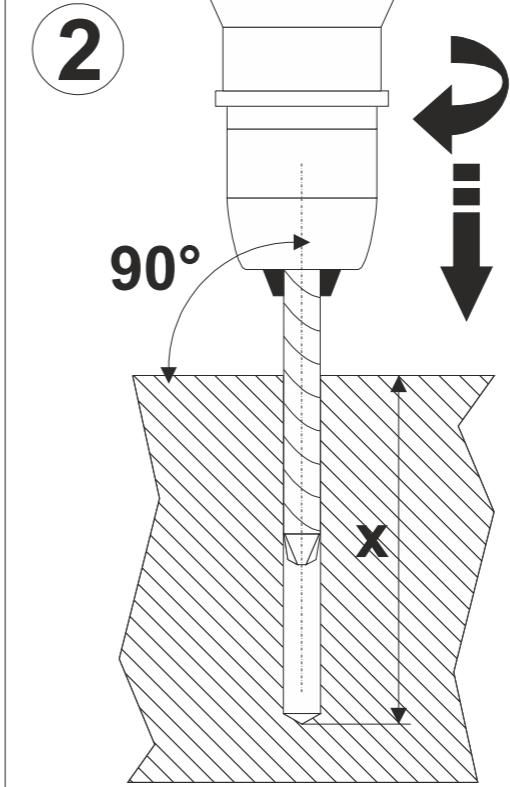
AQUA DROLICS  
Mounting system E

Tools:

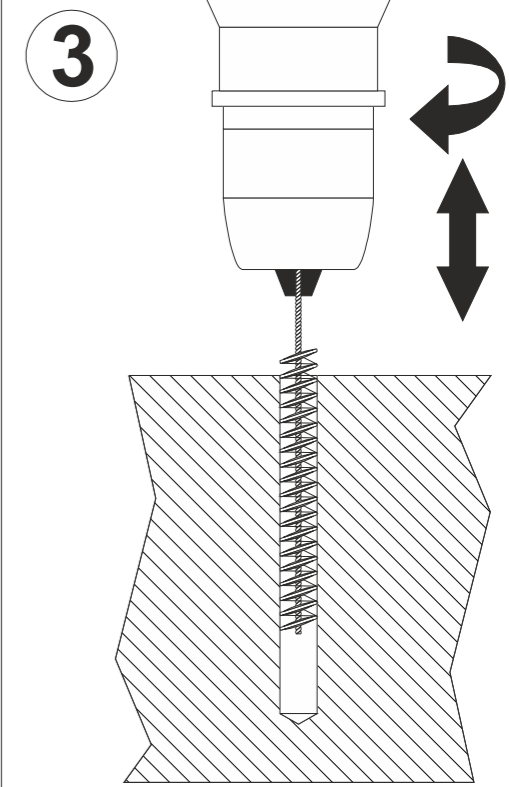
- drilling machine
- steel brush  $\varnothing$  15 mm
- drill (concrete)  $\varnothing$  14 mm
- pencil
- hacksaw
- measuring tape



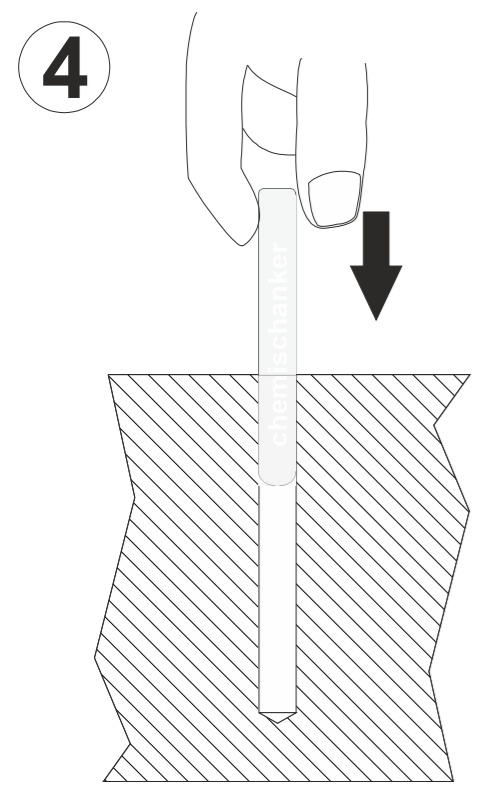
1 Determine the position of the product, then mark the outline and position of the holes on the sub-soil.



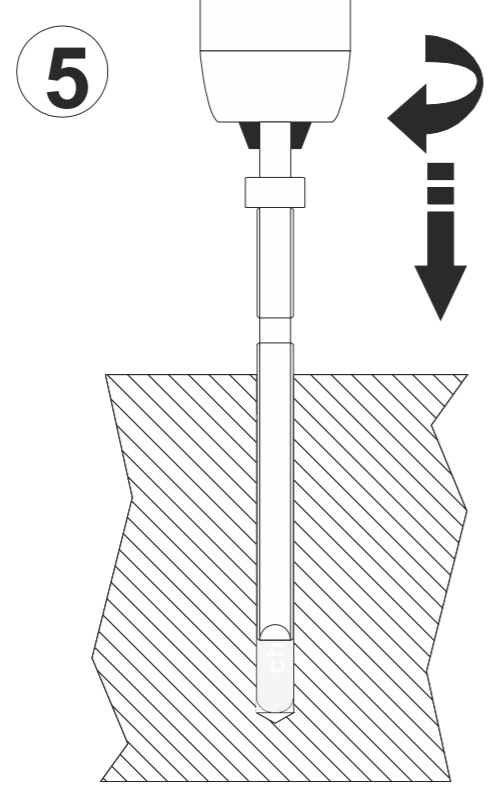
2 Drill holes in the sub-soil using the concrete drill  $\varnothing$  14 mm. Depth as shown in the products drawing.



3 Brush the holes with the steel brush ( $\varnothing$  15 mm). Clean the holes.

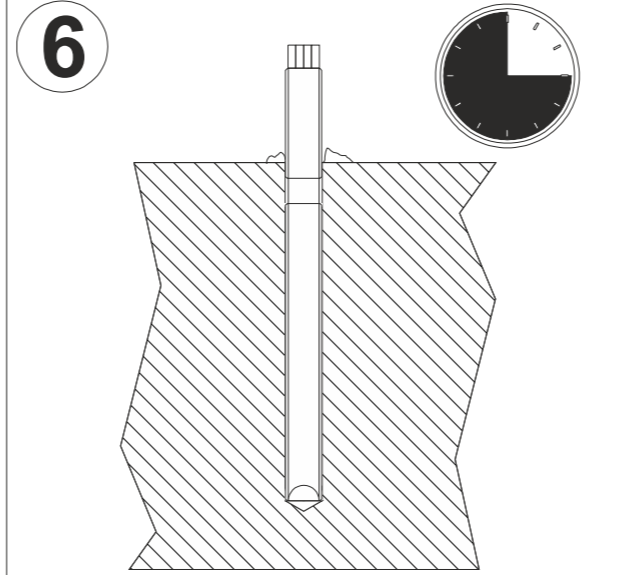


4 Insert capsule.

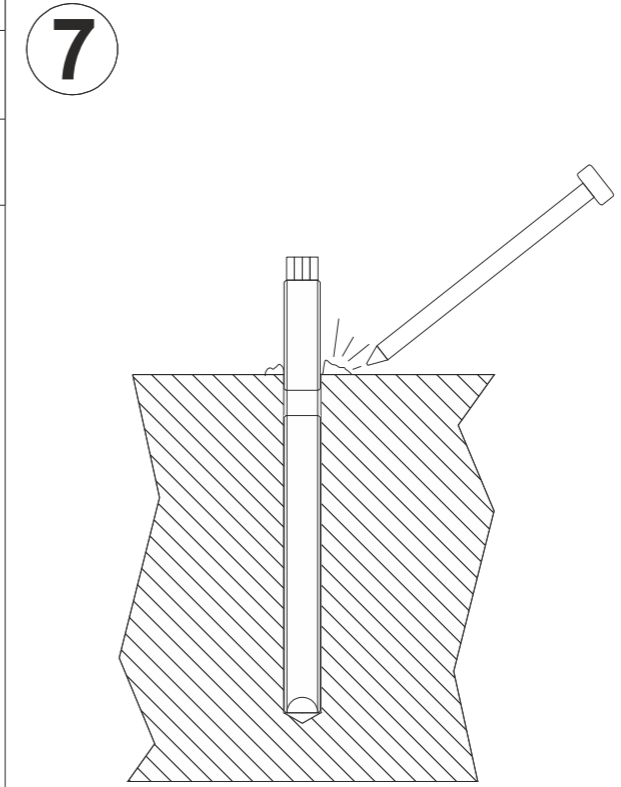


5 Insert anchor shaft, using the delivered tool.

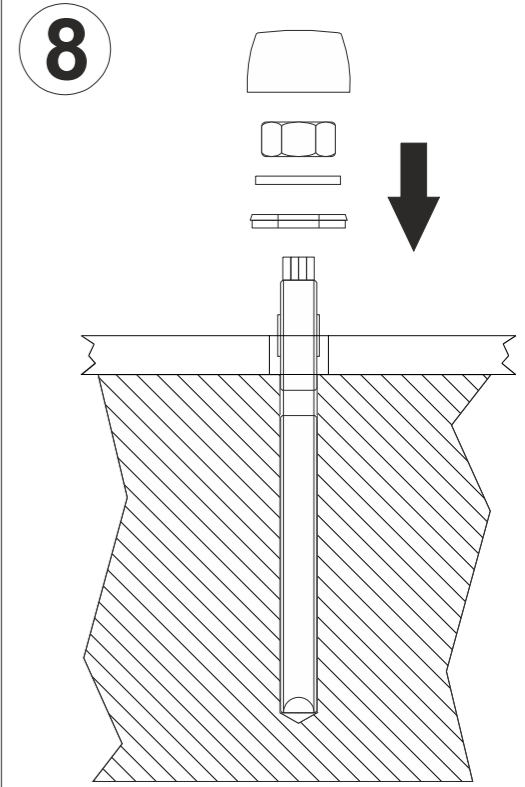
|                          |          |         |
|--------------------------|----------|---------|
|                          | T=10°C   | T=20°C  |
| harden time dry concrete | 40 min.  | 20 min. |
| harden time wet concrete | 120 min. | 60 min. |



6 Leave the anchor to harden.



7 Remove any remains around the shaft.



8 Mount the product. If necessary, shorten the anchor shaft.