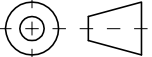
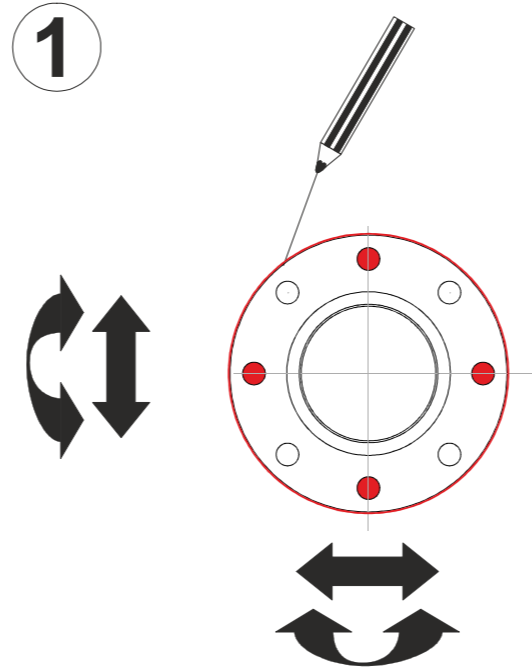
	PROJECT NAME:	SCALE:	DIMENSION:
	Mounting	FTS	mm
DRAWING NR:	2.3.1	FORMAT:	DRAWN BY:
PRODUCT:	1410 9706 Shooting object labyrinth	A4	KH
Sportlaan 9, 5683 CS Best, The Netherlands T +31 (0)499 393 540   F +31 (0)499 393 744 E info@aquadrolics.nl   www.aquadrolics.nl	DATE:	14-7-2015	
	PROJECTION:		



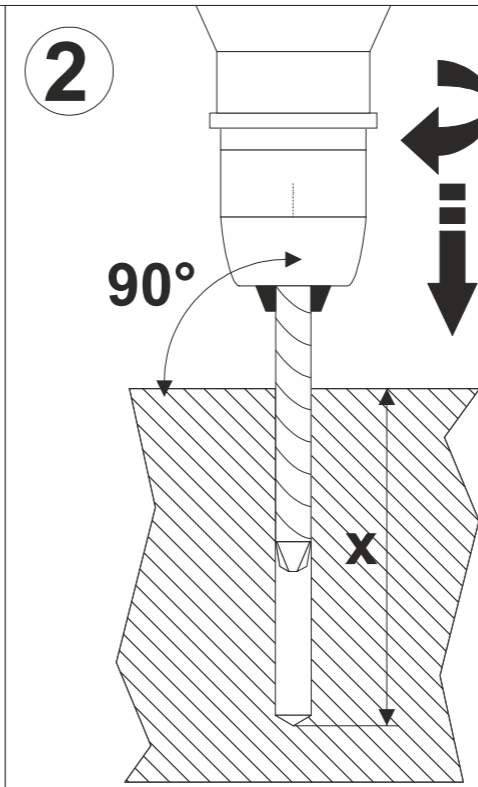
**AQUA DROLICS**  
Mounting system D-2

Tools:

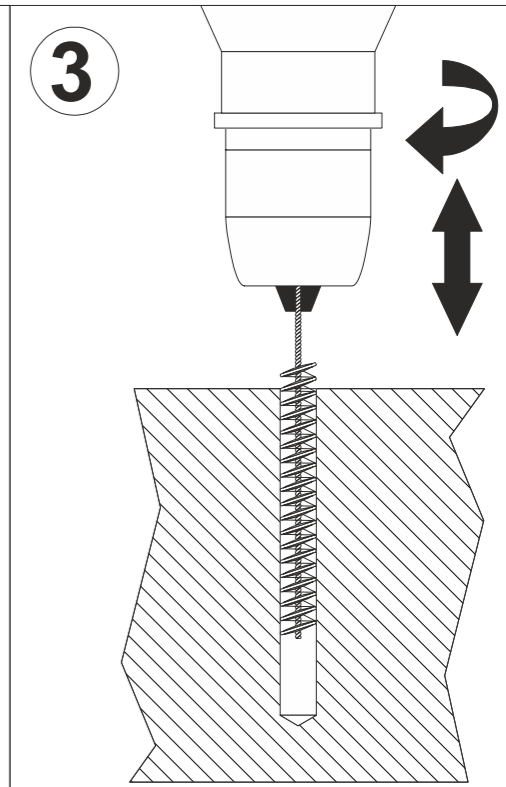
- Drilling machine
- Mounting system D
- Body ring M8
- Body ring M10
- Concrete drill Ø 10 mm
- Steel brush Ø 11 mm
- Pencil
- Measuring tape
- Wrench nr 13



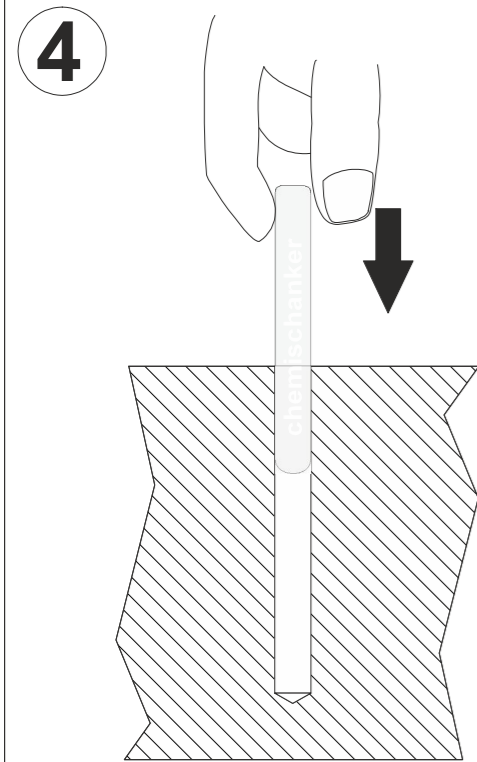
**1** Determine the position of the product. Mark the outline and position of the holes on the sub-soil.



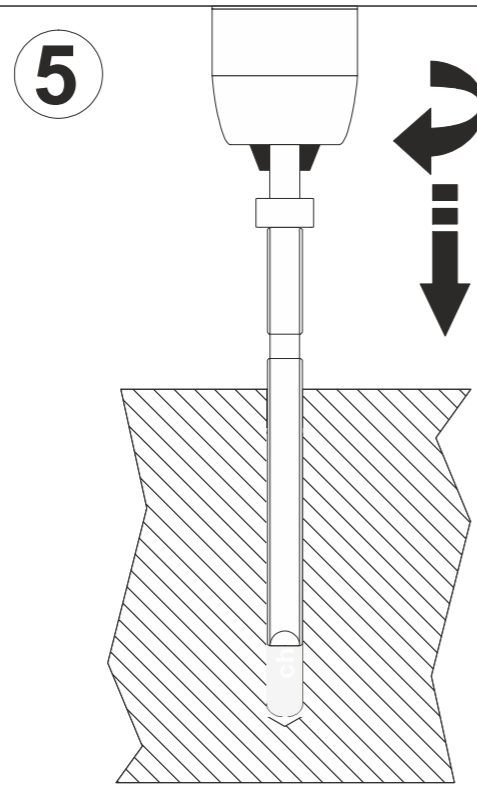
**2** Drill holes in the sub-soil using the concrete drill Ø 10 mm. Depth as shown in the products drawing.



**3** Brush the holes using the steel brush (Ø 11 mm). Clean the holes.

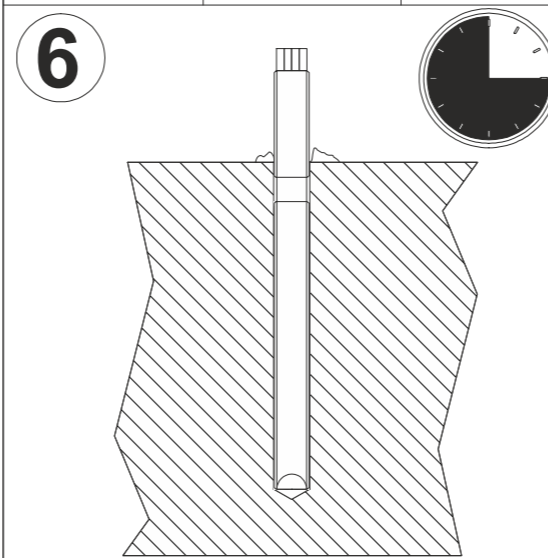


**4** Insert capsule.

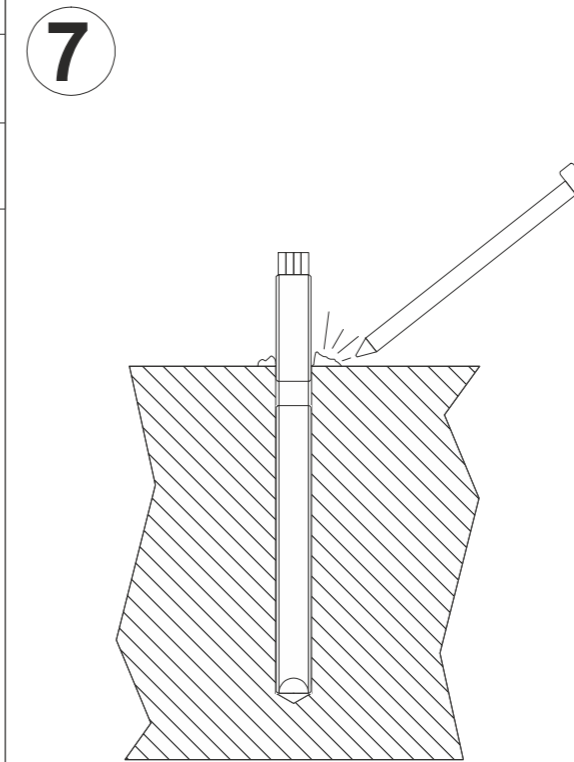


**5** Place anchor shaft using the delivered tool.

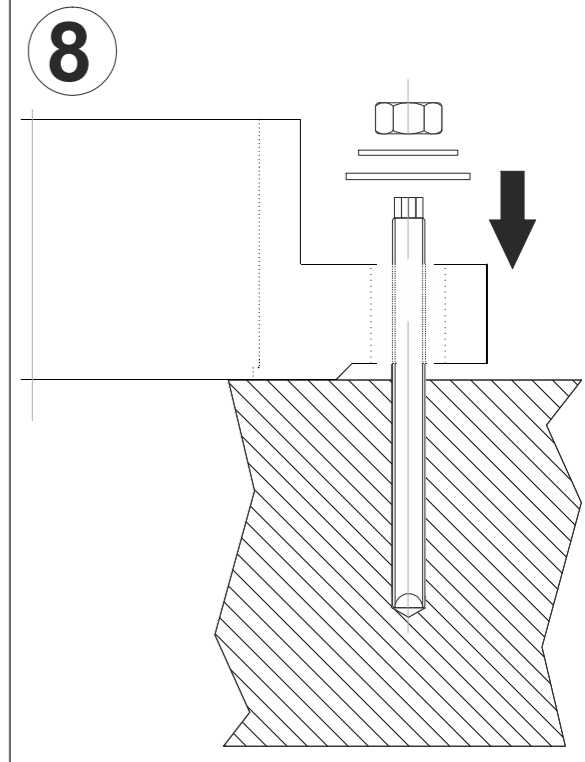
	T=10°C	T=20°C
Harden time dry concrete	40 min.	20 min.
Harden time wet concrete	120 min.	60 min.



**6** Leave the anchor to harden.



**7** Remove any remains around the anchor shaft.



**8** Mount the product.