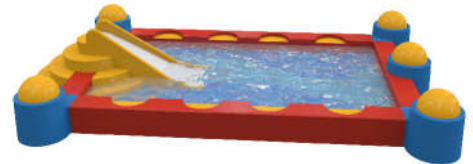


Questionnaire technique/situation

1. Of which material consists the surface were the product is being placed?

- Concrete
- Tiles
- Liner
- Otherwise, namely



2. With which diameter is the water connection provided?

Water supply A

The water connection has a diameter of \emptyset mm
Normally the water connection has a diameter of \emptyset 50 mm

Return B

The water connection has a diameter of \emptyset mm
Normally the water connection has a diameter of \emptyset 50 mm

Drain C

The water connection has a diameter of \emptyset mm
Normally the water connection has a diameter of \emptyset 32 mm

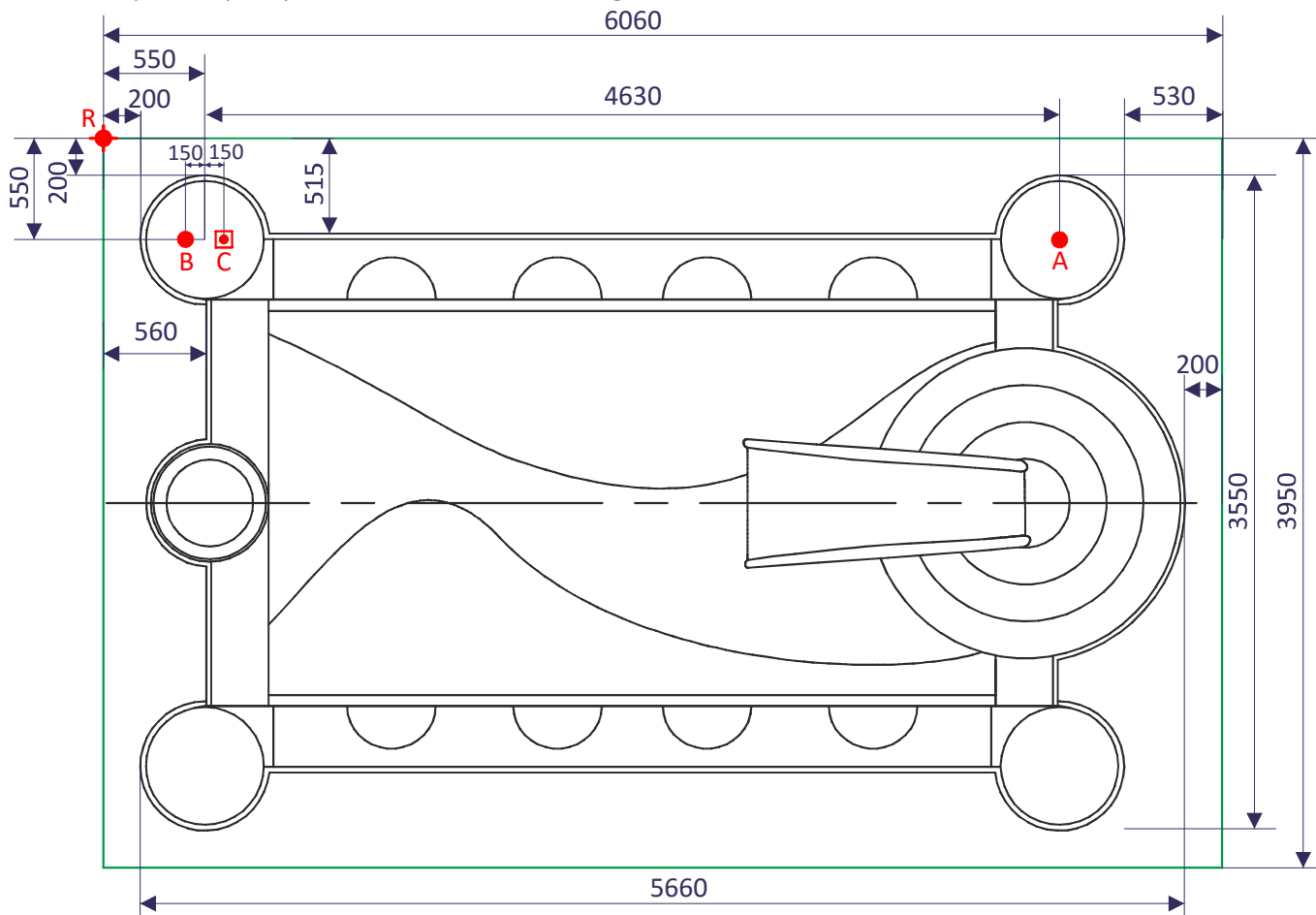
Is the water connection made of PVC? Yes No
Otherwise, namely

3. What is the situation of the water connections?

Are the water connections made as in the example below?

Yes No

If no, please specify the situation with a drawing

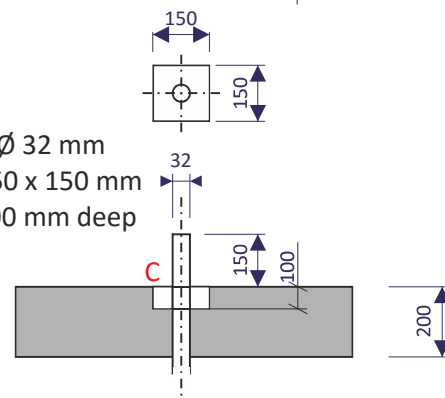
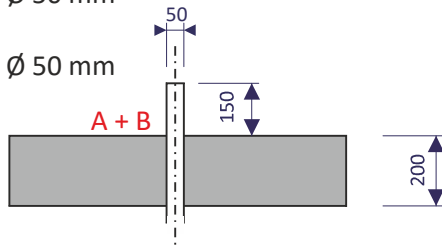


R = Reference point

A = Water connection
PVC Dn 40 Ø 50 mm

B = Return
PVC Dn 40 Ø 50 mm

C = Drain
PVC Dn 25 Ø 32 mm
Recess = 150 x 150 mm
100 mm deep



Date:

Name:

Signature: