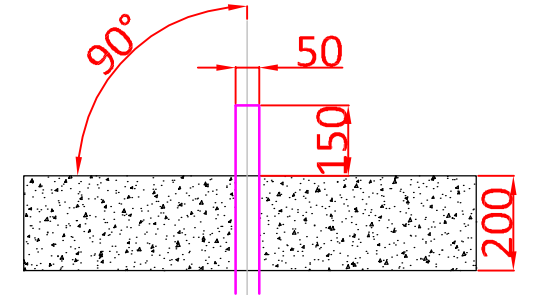
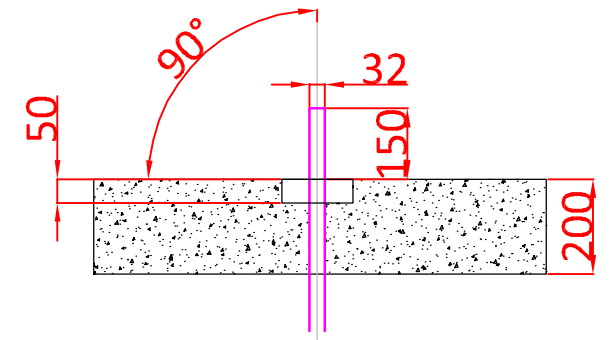
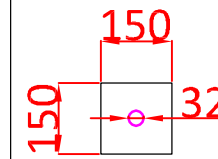


A= Water supply. PVC DN40 (outside diameter \varnothing 50 mm)
 B= Water return. PVC Dn40 (outside diameter \varnothing 50 mm)



C= Water drain.
 Hole 150x150 mm, depth= 50 mm.
 with in the center a PVC pipe DN 25
 (outside diameter \varnothing 32 mm.)



Sportlaan 9, 5683 CS Best, The Netherlands
 T +31 (0)499 393 540 | F +31 (0)499 393 744
 E info@aquadrolics.nl | www.aquadrolics.nl

PROJECT NAME:

Mounting

DRAWING NR:

2.3.1

PRODUCT:

1010 9933 Chow

SCALE:

FTS

FORMAT:

A3

DATE:

21-06-2016

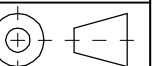
PROJECTION:

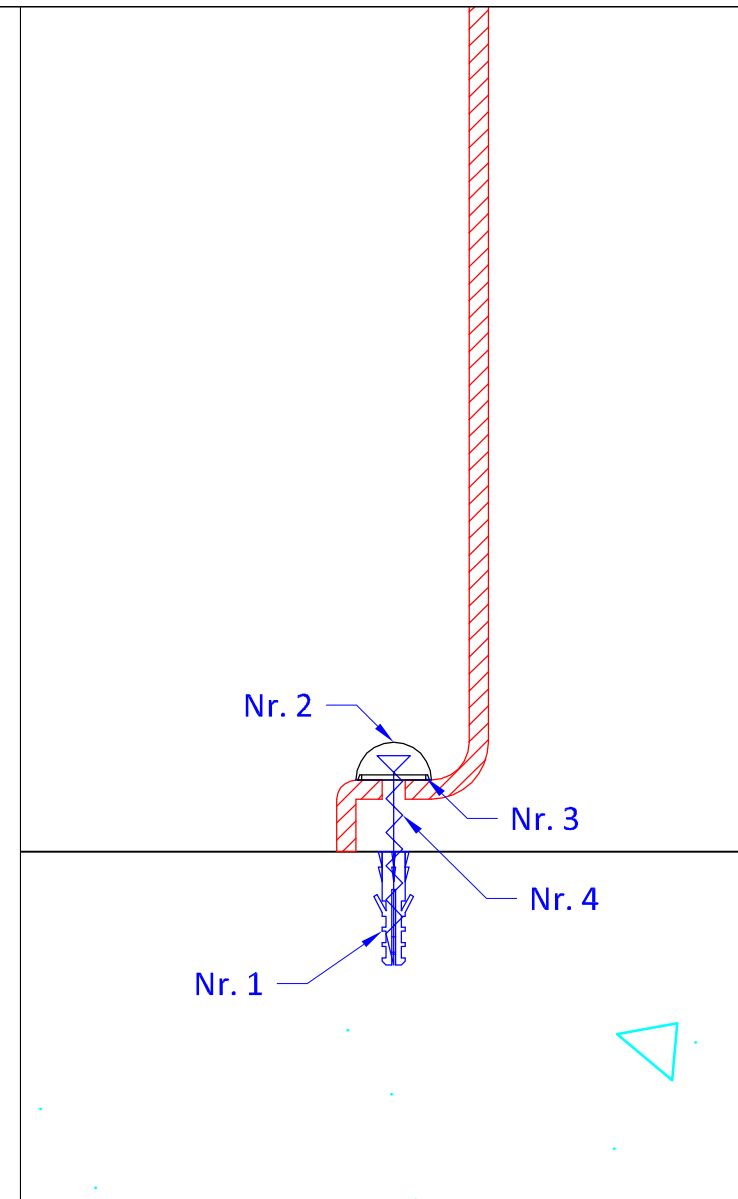
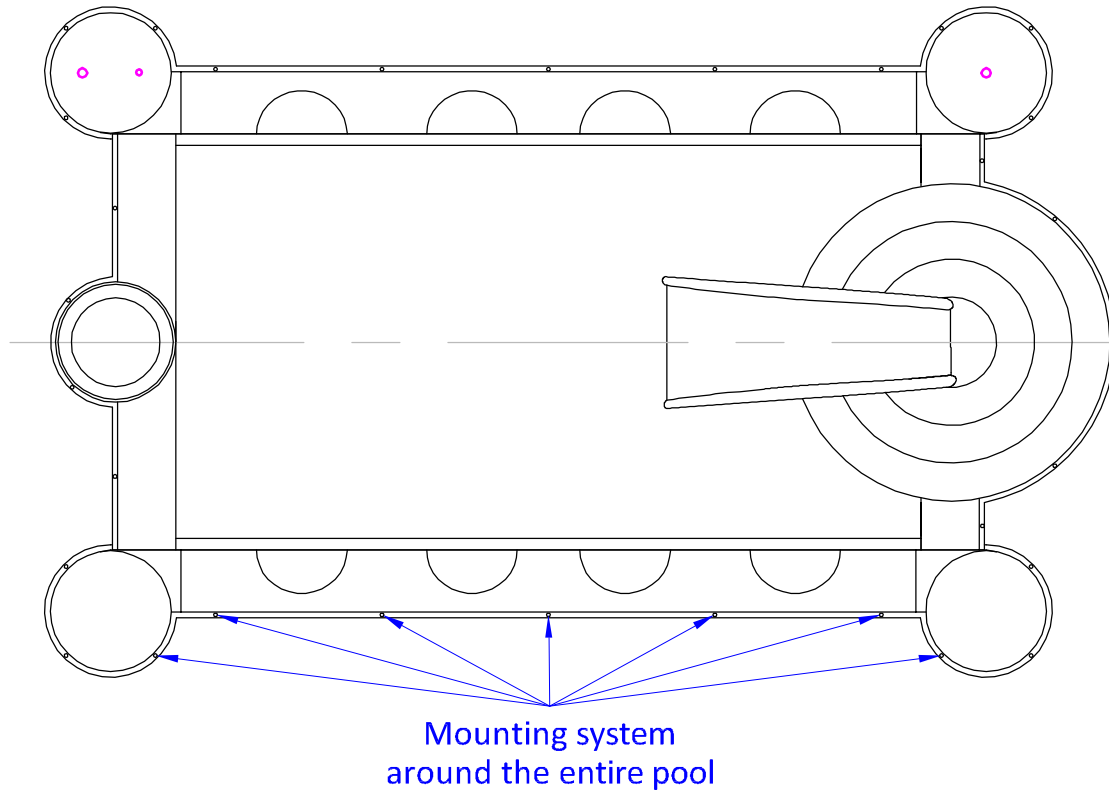
DIMENSION:

mm

DRAWN BY:

MT





Nr.	Name	Material	Amount
1	Plug	PVC	31
2	Cap	Nylon	31
3	Ring M6	Nylon	31
4	Screw $\varnothing 6 \times 50$ mm	Stainless steel	31



Sportlaan 9, 5683 CS Best, The Netherlands
 T +31 (0)499 393 540 | F +31 (0)499 393 744
 E info@aquadrolics.nl | www.aquadrolics.nl

PROJECT NAME:

Mounting details

DRAWING NR:

2.3.2

PRODUCT:

1010 9933 Chow

SCALE:

FTS

FORMAT:

A4

DATE:

21-06-2016

PROJECTION:

DIMENSION:

mm

DRAWN BY:

MT

