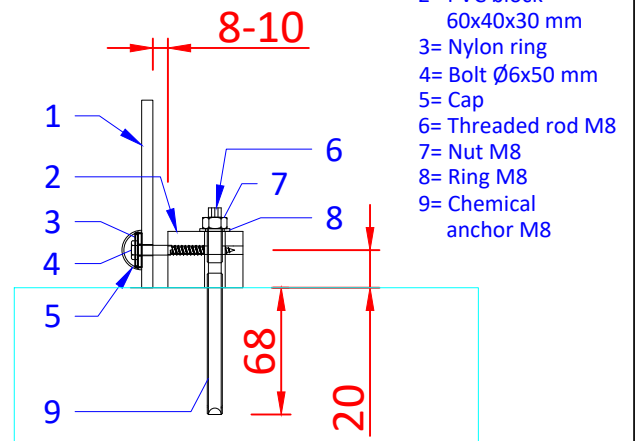
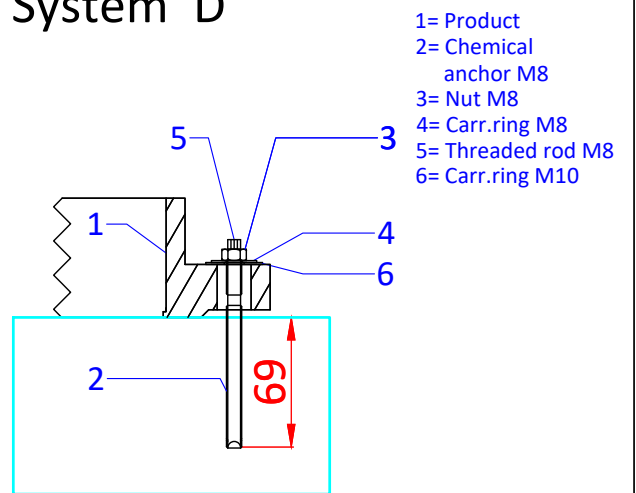


System B



- 1= Product
- 2= PVC block 60x40x30 mm
- 3= Nylon ring
- 4= Bolt $\varnothing 6 \times 50$ mm
- 5= Cap
- 6= Threaded rod M8
- 7= Nut M8
- 8= Ring M8
- 9= Chemical anchor M8

System D



- 1= Product
- 2= Chemical anchor M8
- 3= Nut M8
- 4= Carr. ring M8
- 5= Threaded rod M8
- 6= Carr. ring M10



Sportlaan 9, 5683 CS Best, The Netherlands
 T +31 (0)499 393 540 | F +31 (0)499 393 744
 E info@aquadrolics.nl | www.aquadrolics.nl

PROJECT NAME:

Mounting

DRAWING NR:

2.3.1

PRODUCT:

1120 9819 Water Gun

SCALE:

FTS

FORMAT:

A4

DATE:

16-01-2019

PROJECTION:

DIMENSION:

mm

DRAWN BY:

FH

