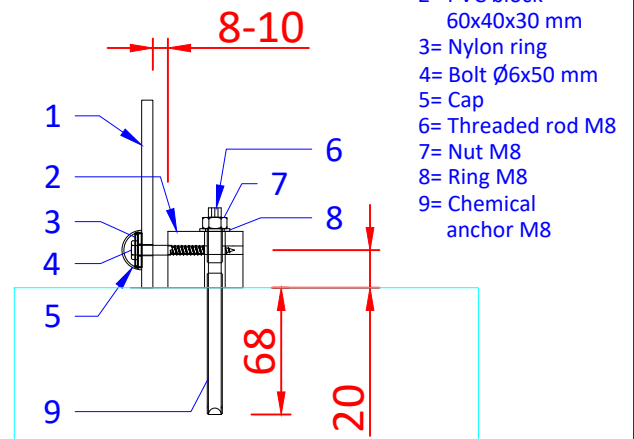
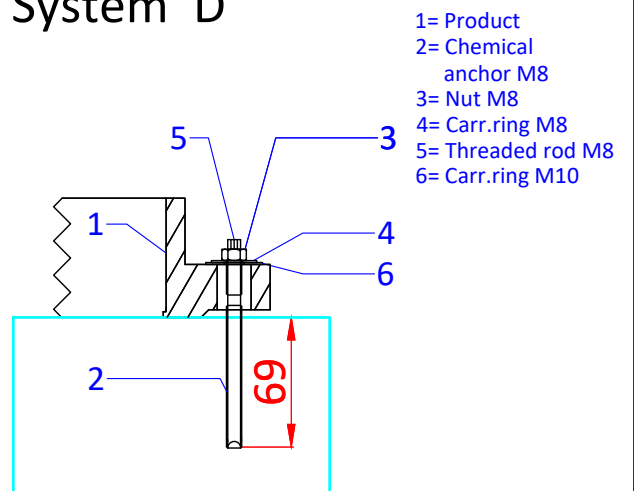


System B



System D



PROJECT NAME:

Mounting

DRAWING NR:

2.3.1

PRODUCT:

1110 9819 Water Gun

SCALE:

FTS

FORMAT:

A4

DATE:

27-11-2018

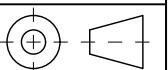
PROJECTION:

DIMENSION:

mm

DRAWN BY:

FH



Sportlaan 9, 5683 CS Best, The Netherlands
 T +31 (0)499 393 540 | F +31 (0)499 393 744
 E info@aquadrolics.nl | www.aquadrolics.nl